

# UNIVERS

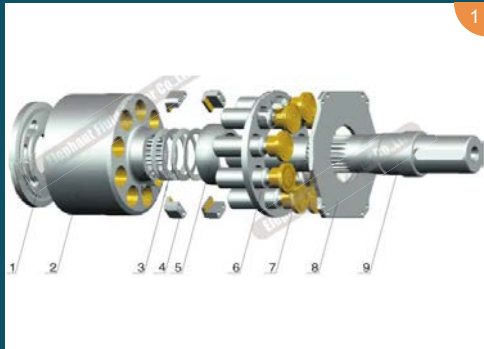


**КАТАЛОГ  
ЗАПАСНИХ ЧАСТИН ДЛЯ  
РЕМОНТУ ГІДРАВЛІЧНИХ  
НАСОСІВ ТА МОТОРІВ**

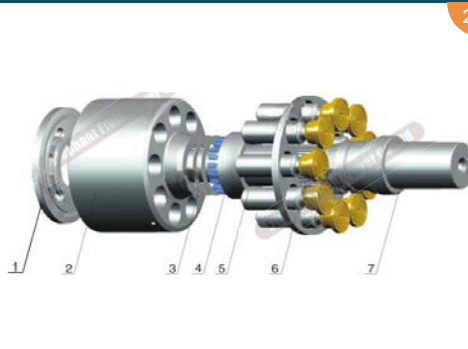
ТОВАРИСТВО З ОБМЕЖЕНОЮ  
ВІДПОВІДАЛЬНІСТЮ  
"ТОРГОВА ГРУПА "ЮНІВЕРС"  
Юридична адреса: Україна, 49035,  
Дніпропетровська обл, місто Дніпро,  
вул. Карла Роде., будинок 169  
код ЄДРПОУ 44824748  
Телефон: +38(067)633-31-67

# заголовок

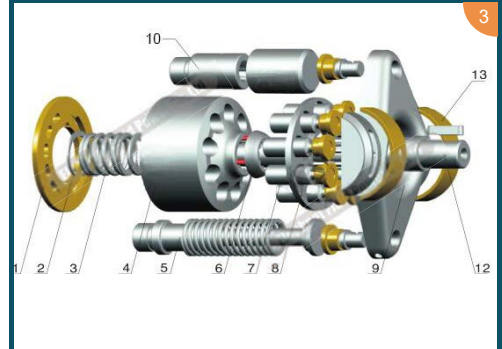
REXROTH	01-03
UCHIDA	03
SAUER-DANFOSS	03-05
KOMATSU	05-07
HITACHI	07-09
CATERPILLAR	09-11
KAWASAKI	11-13
LINDE	13-14
EATON-VICKERS, PARKER	14-16
NACHI	17
TOSHIBA	17-18
YUKEN	18
LIEBHERR	18
KAYABA	18-19
Hawe	20
TOKIWA	20
JIC	20
KOBELCO/KATO SERIES	20-21
NABTESCO TRAVEL SERIES	21-22
TADANO SERIES	22
HARVESTER SERIES	22
КЛАПАНА КЕРУВАННЯ	23
НАСОСИ ЖИВЛЕННЯ	24
БЛОКИ ДЛЯ ПЛАСТИНЧАСТИХ НАСОСІВ	25

**REXROTH**

**A4V / A4VFO / A4VSO**

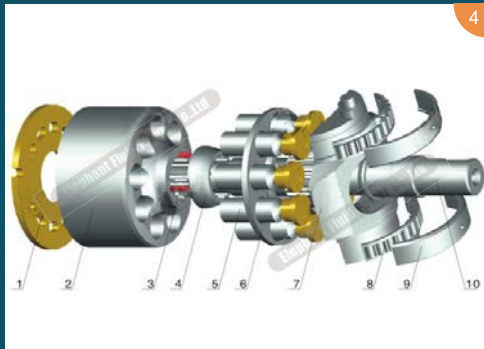
п/п	Найменування	Кіль-ть
1	Розподільча плита	1
2	Блок циліндрів	1
3	Пружний диск	4
4	Фіксатор	4
5	Сферичний підшипник	1
6	Сепаратор	1
7	Поршень в сборі	9
8	Опорна плита	1
9	Привідний вал	1

**REXROTH**

**A4VF / A4VG / A4VTG / A4VG / A4VHW**

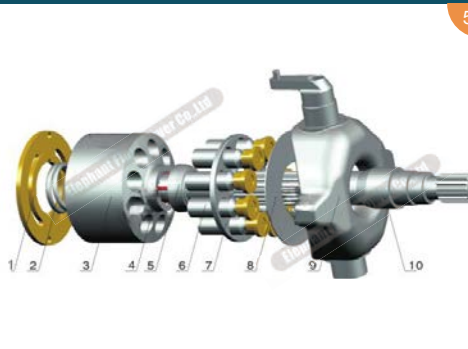
п/п	Найменування	Кіль-ть
1	Розподільча плита	1
2	Блок циліндрів	1
3	Пружний диск	4
4	Сферичний підшипник	1
5	Поршень в сборі	9
6	Сепаратор	1
7	Привідний вал	1
8	Підшипник похилої плити	2

**REXROTH**

**A10VSO / A10VO/52 / A10VSO/63**

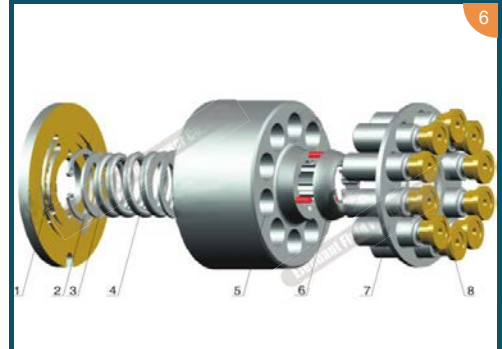
п/п	Найменування	Кіль-ть
1	Розподільча плита	1
2	Дистанційна шайба	1
3	Пружина	1
4	Блок циліндрів	1
5	Поршень протидії	1
6	Сферичний підшипник	1
7	Поршень в сборі	9
8	Сепаратор	1
9	Похила плита	1
10	Серво-поршень	1
11	Насос живлення	1
12	Привідний вал	1
13	Підшипник похилої плити	2

**REXROTH**

**A10VG**

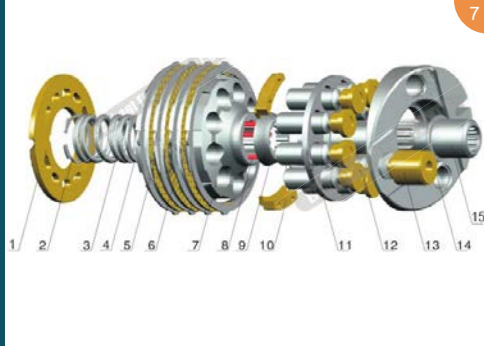
NO.	Description	Quantity/Set
1	Valve Plate L/R/M	1
2	Cylinder Block	1
3	Press Pin	3
4	Ball Guide	1
5	Piston Shoe	9
6	Retainer Plate	1
7	Swash Plate	1
8	Saddle Bearing	2
9	Bearing Seat	2
10	Drive Shaft	1

**REXROTH**

**A10V / A10VD**

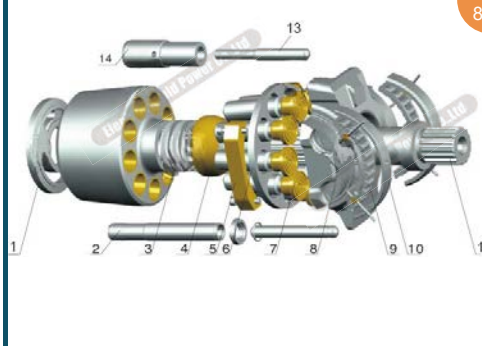
NO.	Description	Quantity/Set
1	Valve Plate L/R	1
2	Spring	1
3	Cylinder Block	1
4	Press Pin	3
5	Ball Guide	1
6	Piston Shoe	9
7	Retainer Plate	1
8	Thrust Plate	1
9	Swash Plate	1
10	Drive Shaft	1

**REXROTH**

**A10VE / A10VEC**

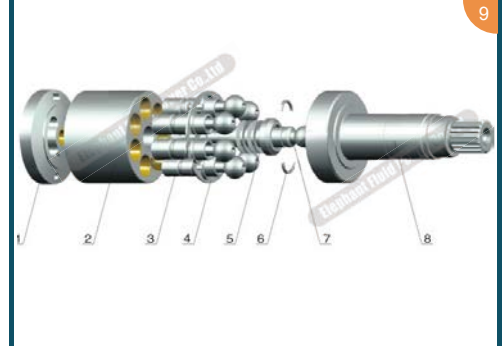
NO.	Description	Quantity/Set
1	Valve Plate L/R	1
2	Snap Ring	1
3	Spacer	2
4	Spring	1
5	Cylinder Block	1
6	Ball Guide	1
7	Retainer Plate	1
8	Piston Shoe	10

**REXROTH**

**A10VSF**

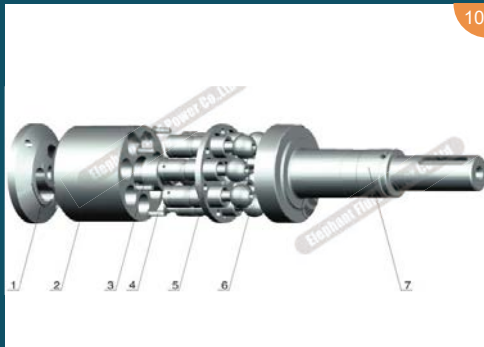
NO.	Description	Quantity/Set
1	Valve Plate	1
2	Snap Ring	1
3	Spring	1
4	Spacer	2
5	Friction Plate	3
6	Separation Plate	4
7	Cylinder Block	1
8	Press Pin	3
9	Ball Guide	1
10	Retainer	1
11	Retainer Plate	1
12	Piston Shoe	9
13	Yoke Piston	1
14	Swash Plate	1
15	Drive Shaft	1

**REXROTH**

**A11VO / A11VG / A11V / A11VLO**

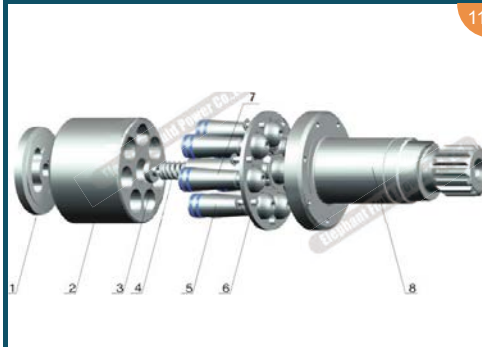
NO.	Description	Quantity/Set
1	Valve Plate	1
2	Press Pin	1
3	Spacer	1
4	Ball Guide	1
5	Retainer	1
6	Retainer Plate	1
7	Piston Shoe	9
8	Swash Plate	1
9	Saddle Bearing	2
10	Bearing Seat	2
11	Drive Shaft	1
12	Cylinder Block	1
13	Piston	1
14	Piston Guide	1

**REXROTH BENT PUMP**

**A2F**

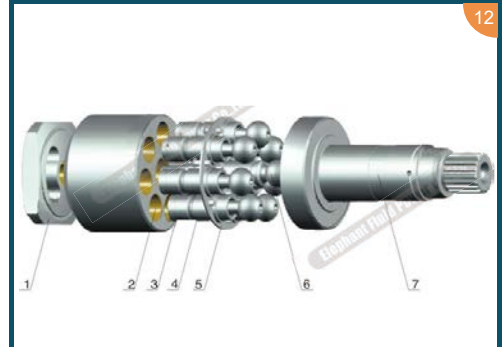
NO.	Description	Quantity/Set
1	Valve Plate	1
2	Cylinder Block	1
3	Piston Shoe	7
4	Retainer Plate	1
5	Disc Spring	4
6	Half Ring	2
7	Ball Guide	1
8	Drive Shaft	1

**REXROTH BENT PUMP**

**A2VK**

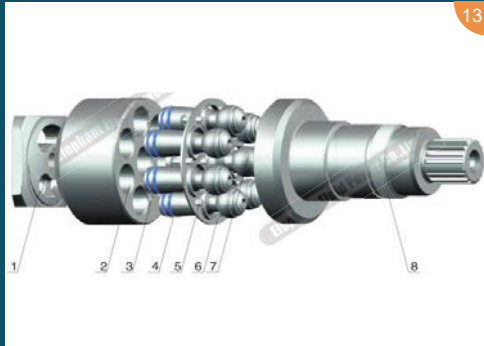
NO.	Description	Quantity/Set
1	Valve Plate L/R	1
2	Cylinder Block	1
3	Disk Spring	4
4	Ball Guide	1
5	Piston Shoe	9
6	Retainer Plate	1
7	Drive Shaft	1

**REXROTH BENT PUMP**

**A2FO**

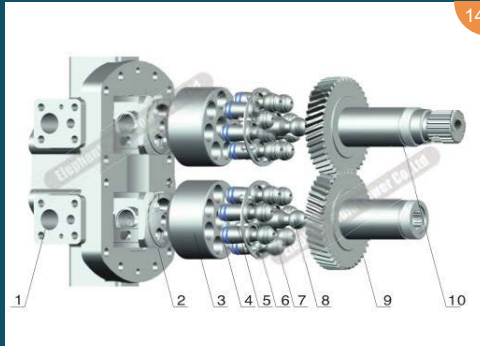
NO.	Description	Quantity/Set
1	Valve Plate	1
2	Cylinder Block	1
3	Spring Set	1
4	Spring	1
5	Piston Shoe	7
6	Retainer Plate	1
7	Center Pin	1
8	Drive Shaft	1

**REXROTH BENT PUMP**

**A6V / A7V**

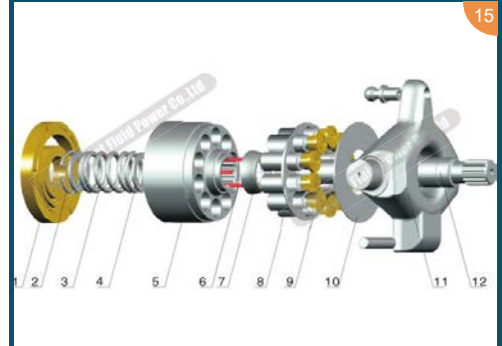
NO.	Description	Quantity/Set
1	Valve Plate	1
2	Cylinder Block	1
3	Disk Spring	4
4	Ball Guide	1
5	Piston Shoe	9
6	Retainer Plate	1
7	Drive Shaft	1

**REXROTH BENT PUMP**

**A6VM / A6VE / A7VO**

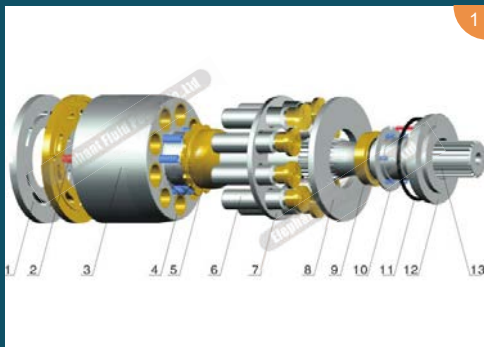
NO.	Description	Quantity/Set
1	Valve Plate	1
2	Cylinder Block	1
3	Ring	14
4	Piston Shoe	7
5	Bolt	14
6	Retainer Plate	1
7	Center Pin	1
8	Drive Shaft	1

**REXROTH-UCHIDA**

**A8VO**

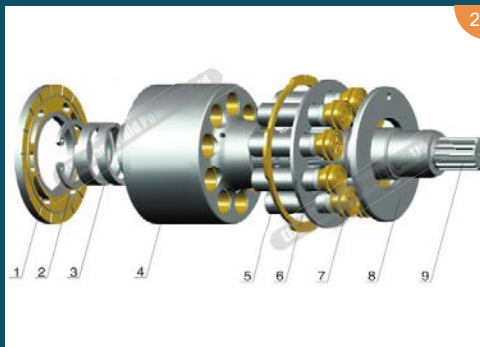
NO.	Description	Quantity/Set
1	Cover	1
2	Valve Plate L/R	1
3	Cylinder Block	2
4	Ring	28
5	Bolt	14
6	Retainer Plate	2
7	Piston Shoe	14
8	Center Pin	2
9	Drive Shaft L	1
10	Drive Shaft R	1

**REXROTH-UCHIDA**

**AP2D / ZAX70 MAIN PUMP**

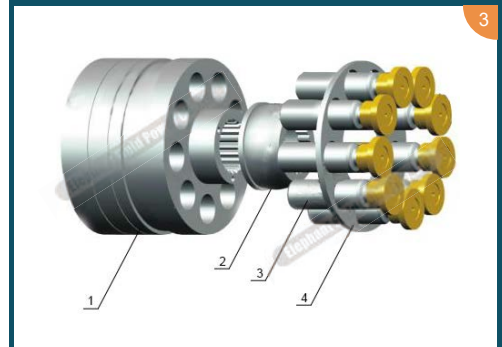
NO.	Description	Quantity/Set
1	Valve Plate L/R	1
2	Snap Ring	1
3	Spring	1
4	Spacer	2
5	Cylinder Block	1
6	Press Pin	3
7	Ball Guide	1
8	Piston Shoe	10
9	Retainer Plate	1
10	Thrust Plate	1
11	Swash Plate	1
12	Drive Shaft	1

**SAUER**

**PV / SPV / OPV**

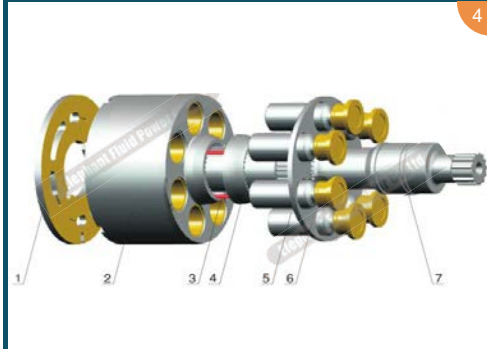
NO.	Description	Quantity/Set
1	Valve Plate L/R/M	1
2	Pin	1
3	Cylinder Block	1
4	Spring	6
5	Ball Guide	1
6	Piston Shoe	9
7	Retainer Plate	1
8	Thrust Plate	1
9	Shaft Seal Set	1
10	Shaft Seal Set	1
11	O Ring	1
12	Seal Seat	1
13	Drive Shaft	1

**SAUER**

**PVD / TB**

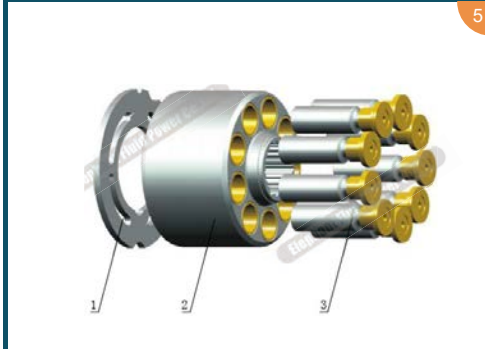
NO.	Description	Quantity/Set
1	Valve Plate	1
2	Snap Ring	1
3	Spring	1
4	Cylinder Block	1
5	Retainer	1
6	Retainer Plate	1
7	Piston Shoe	9
8	Thrust Plate	1
9	Drive Shaft	1

**SAUER**

**MF**

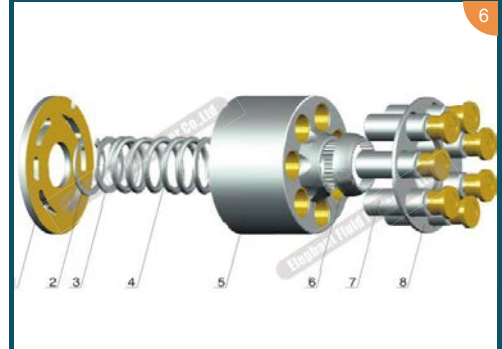
NO.	Description	Quantity/Set
1	Cylinder Block	1
2	Ball Guide	1
3	Piston Shoe	9
4	Retainer Plate	1

**SAUER**

**MPV / M**

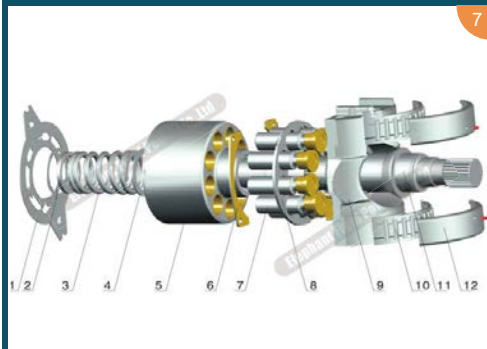
NO.	Description	Quantity/Set
1	Valve Plate	1
2	Cylinder Block	1
3	Press Pin	3
4	Ball Guide	1
5	Piston Shoe	7
6	Retainer Plate	1
7	Drive Shaft	1

**SAUER**

**MPR**

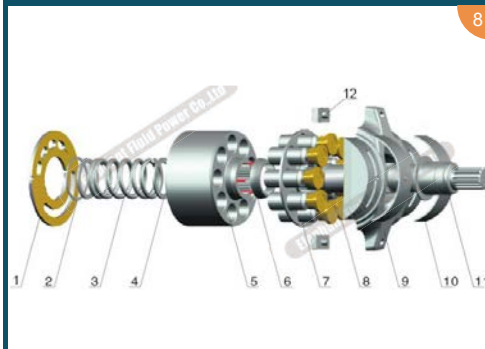
NO.	Description	Quantity/Set
1	Valve Plate	1
2	Cylinder Block	1
3	Piston Shoe	7

**SAUER**

**MPV**

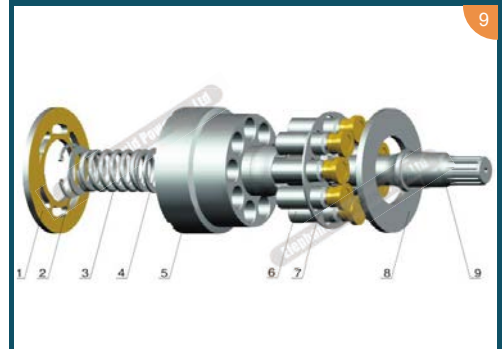
NO.	Description	Quantity/Set
1	Valve Plate	1
2	Snap Ring	1
3	Washer	2
4	Coil Spring	1
5	Cylinder Block	1
6	Ball Guide	1
7	Piston Shoe	7
8	Retainer Plate	1

**SAUER 90**

**PV90R**

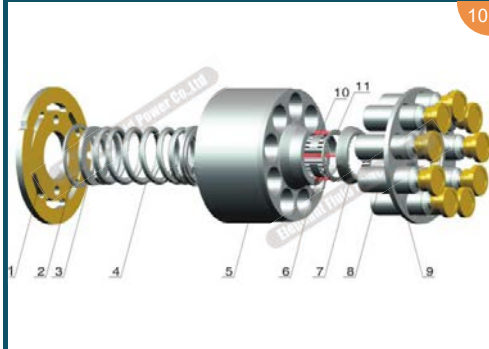
NO.	Description	Quantity/Set
1	Valve Plate L/R/M	1
2	Snap Ring	1
3	Spring	1
4	Washer	2
5	Cylinder Block	1
6	Retainer	2
7	Piston Shoe	9
8	Retainer Plate	1
9	Swash Plate	1
10	Saddle Bearing	2
11	Drive Shaft	1
12	Bearing Seat	2

**SAUER 90**

**BRL**

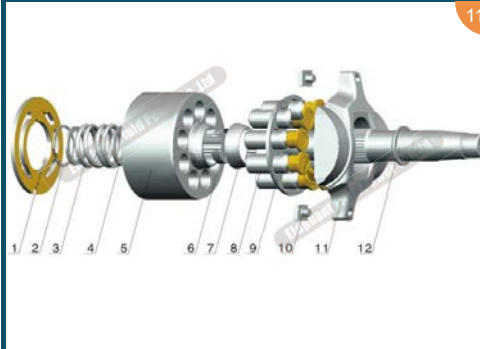
NO.	Description	Quantity/Set
1	Valve Plate	1
2	Snap Ring	1
3	Spring	1
4	Washer	2
5	Cylinder Block	1
6	Ball Guide	1
7	Retainer Plate	1
8	Piston Shoe	9
9	Swash Plate	1
10	Saddle Bearing	2
11	Drive Shaft	1
12	Yoke Piston	2

**SAUER 90**

**SPV / SPV / SPV / MMFO**

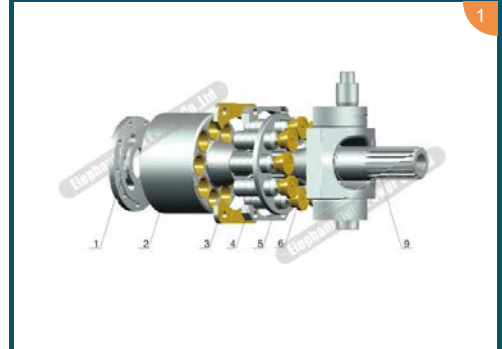
NO.	Description	Quantity/Set
1	Valve Plate L/R	1
2	Snap Ring	1
3	Spring	1
4	Washer	2
5	Cylinder Block	1
6	Piston Shoe	9
7	Retainer Plate	1
8	Thrust Plate	1
9	Drive Shaft	1

**SAUER 90**

**MPT / M44**

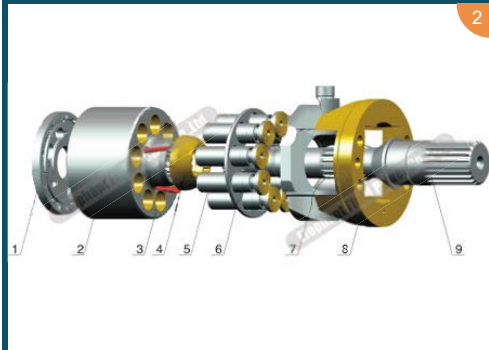
NO.	Description	Quantity/Set
1	Valve Plate	1
2	Snap Ring	1
3	Washer	2
4	Spring	1
5	Cylinder Block	1
6	Press Pin	3
7	Ball Guide	1
8	Piston Shoe	9
9	Retainer Plate	1
10	Back-UP Spring	1
11	Washer	1

**SAUER 90**

**HRR**

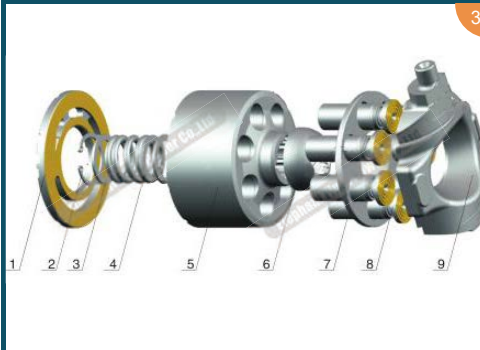
NO.	Description	Quantity/Set
1	Valve Plate	1
2	Snap Ring	1
3	Spring	1
4	Washer	1
5	Cylinder Block	1
6	Back-UP Spring	1
7	Ball Guide	1
8	Piston Shoe	9
9	Retainer Plate	1
10	Yoke Piston	2
11	Swash Plate	1
12	Drive Shaft	1

**KOMATSU EXCAVATOR**

**HPV / HPV / PC50 / PC400-7**

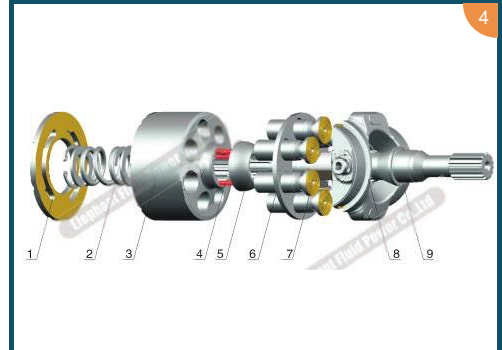
NO.	Description	Quantity/Set
1	Valve Plate L/R	1
2	Cylinder Block	1
3	Retainer	2
4	Spacer	2
5	Piston Shoe	9
6	Retainer Plate	1
7	Swash Plate	1
8	Support	1
9	Drive Shaft	1

**KOMATSU EXCAVATOR**

**HPV / PC360-7 / PC200-8 / PC240-8 / PC1250**

NO.	Description	Quantity/Set
1	Valve Plate L/R	1
2	Cylinder Block	1
3	Press Pin	3
4	Ball Guide	1
5	Retainer Plate	1
6	Piston Shoe	9
7	Swash Plate	1
8	Support	1
9	Drive Shaft	1
10	Charge Pump	1

**KOMATSU EXCAVATOR**

**PC30UU**

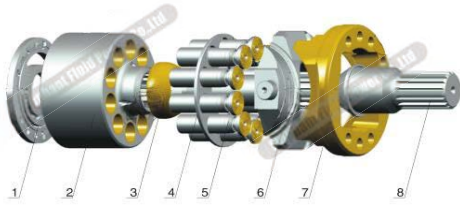
NO.	Description	Quantity/Set
1	Valve Plate	1
2	Snap Ring	1
3	Washer	2
4	Coil Spring	1
5	Cylinder Block	1
6	Ball Guide	1
7	Retainer Plate	1
8	Piston Shoe	7
9	Swash Plate	1

**KOMATSU EXCAVATOR**

**PC40-8 / PC60-7**

NO.	Description	Quantity/Set
1	Valve Plate	1
2	Spring	1
3	Cylinder Block	1
4	Press Pin	3
5	Ball Guide	1
6	Retainer Plate	1
7	Piston Shoe	7/9
8	Swash Plate	1
9	Drive Shaft	1

## KOMATSU EXCAVATOR

5

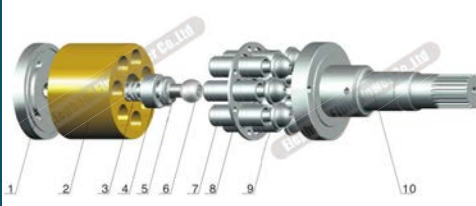


### PC160

NO.	Description	Quantity/Set
1	Valve Plate	1
2	Cylinder Block	1
3	Ball Guide	1
4	Retainer Plate	1
5	Piston Shoe	9
6	Swash Plate	1
7	Support	1
8	Drive Shaft	1

## KOMATSU EXCAVATOR

6

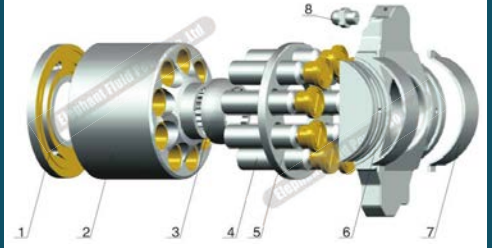


### PC200-2 / PC60-6

NO.	Description	Quantity/Set
1	Valve Plate	1
2	Cylinder Block	1
3	Spring	1
4	Washer	1
5	Center Pin	1
6	Center Ball	1
7	Piston Shoe	7
8	Retainer Plate	1
9	Spherical Washer	7
10	Drive Shaft	1

## KOMATSU EXCAVATOR

7

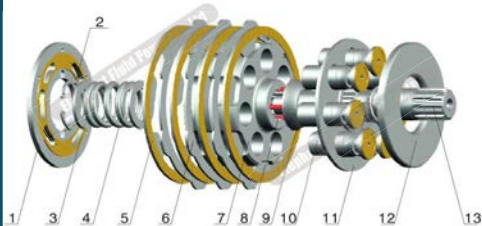


### PC320

NO.	Description	Quantity/Set
1	Valve Plate	1
2	Cylinder Block	1
3	Ball Guide	1
4	Piston Shoe	9
5	Retainer Plate	1
6	Swash Plate	1
7	Saddle Bearing	2
8	Yoke Piston	1

## KOMATSU EXCAVATOR

8

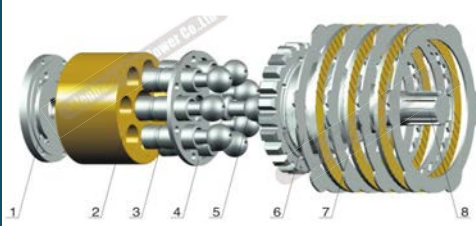


### PC45R-8 / 60-7 мотор повороту

NO.	Description	Quantity/Set
1	Valve Plate	1
2	Snap Ring	1
3	Washer	1
4	Coli Spring	1
5	Friction Plate	2
6	Seperation Plate	3
7	Cylinder Block	1
8	Press Pin	3
9	Ball Guide	1
10	Piston Shoe	7
11	Retainer Plate	1
12	Thrust Plate	1
13	Drive Shaft	1

## KOMATSU EXCAVATOR

9

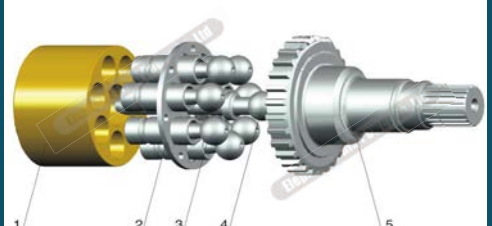


### PC120-6 мотор повороту

NO.	Description	Quantity/Set
1	Valve Plate	1
2	Cylinder Block	1
3	Piston Shoe	7
4	Retainer Plate	1
5	Center Pin	1
6	Seperation Plate	4
7	Friction Plate	3
8	Drive Shaft	1
9	Control Valve	1

## KOMATSU EXCAVATOR

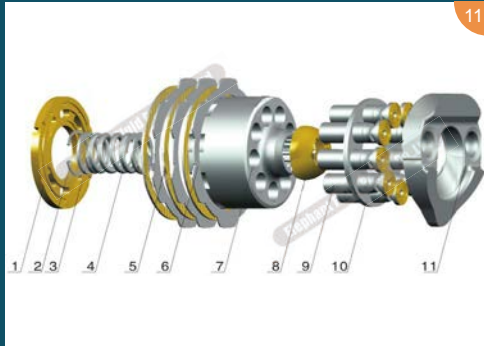
10



### PC200-6 / PC450 LMF45 / HPV220-8 мотор повороту

NO.	Description	Quantity/Set
1	Cylinder Block	1
2	Retainer Plate	1
3	Piston Shoe	7
4	Center Pin	1
5	Drive Shaft	1
6	Friction Plate	3
7	Seperation Plate	4

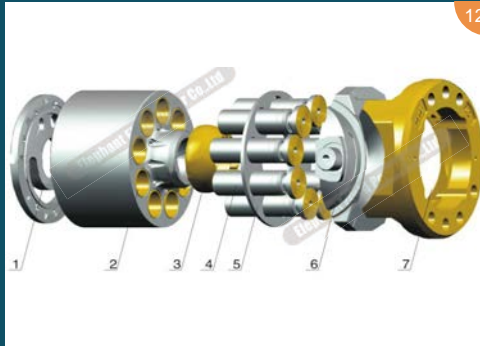


**KOMATSU EXCAVATOR**


11

**PC200-7 мотор ходу**

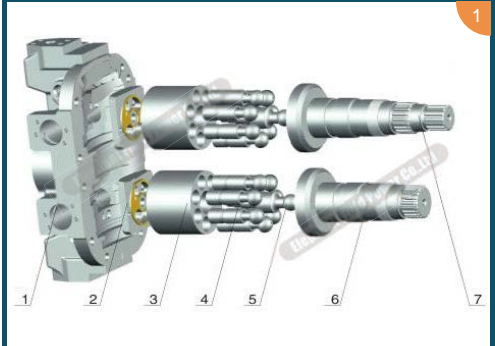
NO.	Description	Quantity/Set
1	Valve Plate M	1
2	Snap Ring	1
3	Washer	2
4	Coli Spring	1
5	Friction Plate	3
6	Seperation Plate	4
7	Cylinder Block	1
8	Ball Guide	1
9	Piston Shoe	9
10	Retainer Plate	1
11	Swash Plate	1

**KOMATSU EXCAVATOR**


12

**PC400-7 мотор ходу**

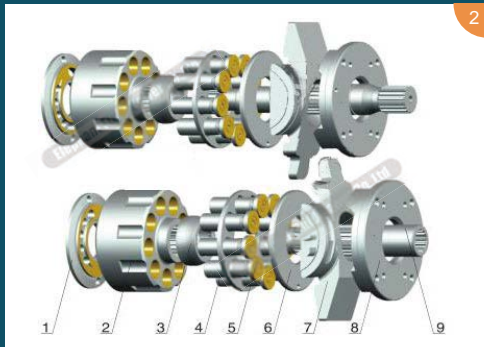
NO.	Description	Quantity/Set
1	Valve Plate M	1
2	Cylinder Block	1
3	Retainer Plate	1
4	Piston Shoe	7
5	Retainer Plate	1
6	Swash Plate	1
7	Support	1

**HITACHI**


1

 HPV050 /HPV102 (EX200-5/6)  
 HPV118 (ZX200-3、ZX270)

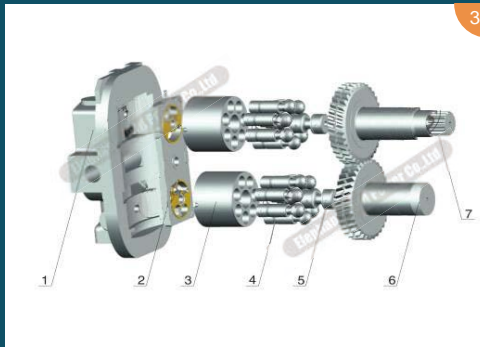
NO.	Description	Quantity/Set
1	Rear Cover	1
2	Valve Plate L/R	2
3	Cylinder Block	2
4	Piston Shoe	18
5	Center Pin	2
6	Driven Shaft	1
7	Drive Shaft	1
8	Charge Pump	1

**HITACHI**


2

**ZX120-6 (HPK055)**

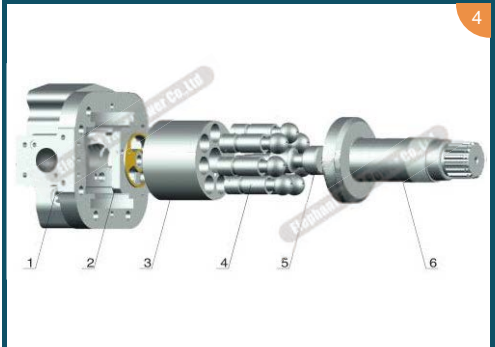
NO.	Description	Quantity/Set
1	Valve Plate	1
2	Cylinder Block	1
3	Ball Guide	1
4	Retainer Plate	1
5	Piston Shoe	9
6	Thrust Plate	1
7	Swash Plate	1
8	Support	1
9	Drive Shaft	1

**HITACHI**


3

**HPV091 (EX200-2/3, EX120-2)**

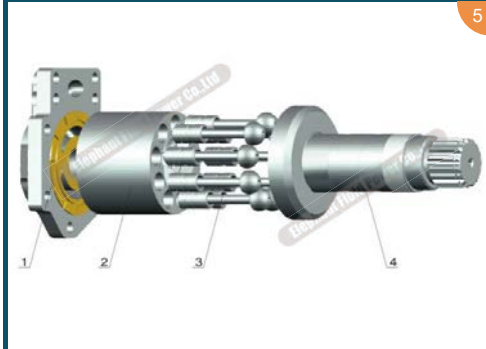
NO.	Description	Quantity/Set
1	Rear Cover	1
2	Valve Plate	2
3	Cylinder Block	2
4	Piston Shoe	14
5	Center Pin	2
6	Driven Shaft	1
7	Drive Shaft	1
8	Charge Pump	1

**HITACHI**


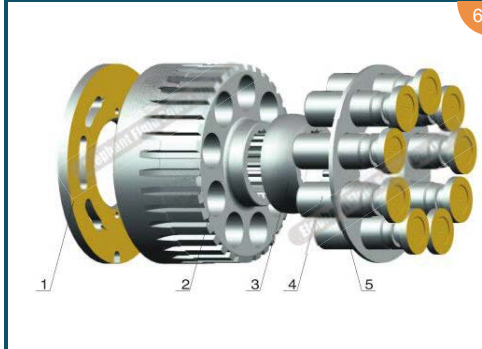
4

**HPV**

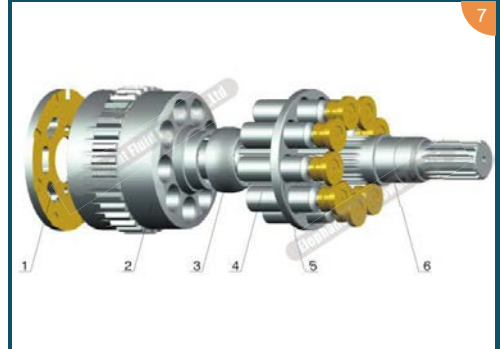
NO.	Description	Quantity/Set
1	Rear Cover	1
2	Valve Plate	1
3	Cylinder Block	1
4	Piston Shoe	7
5	Center Pin	1
6	Drive Shaft	1
7	Valve Plate bolt	2
8	Charge Pump	1

**HITACHI**

**HPV 125A/B**

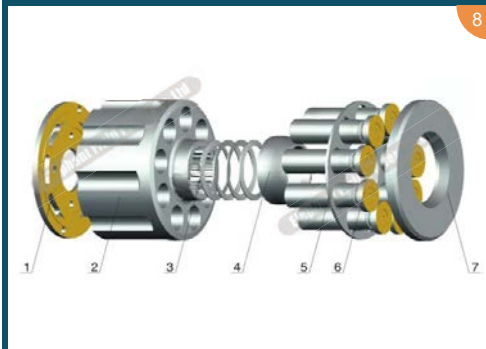
NO.	Description	Quantity/Set
1	Valve Plate	1
2	Cylinder Block	1
3	Piston Shoe	9
4	Drive Shaft	1
5	Center Pin	1

**HITACHI**

**EX60-2/3 мотор повороту**

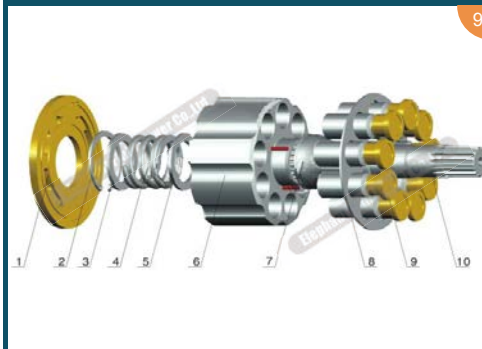
NO.	Description	Quantity/Set
1	Valve Plate	1
2	Cylinder Block	1
3	Piston Shoe	9
4	Drive Shaft	1
5	Retainer Plate	1

**HITACHI**

**EX105-2 / EX120-2 / EX120-5 мотор повороту**

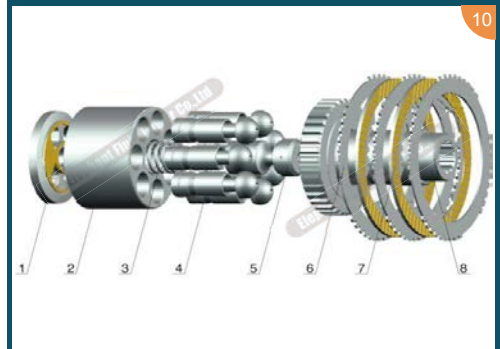
NO.	Description	Quantity/Set
1	Valve Plate	1
2	Cylinder Block	1
3	Ball Guide	1
4	Piston Shoe	9
5	Retainer Plate	1
6	Drive Shaft	1

**HITACHI**

**ZAX 120 мотор повороту**

NO.	Description	Quantity/Set
1	Valve Plate M	1
2	Cylinder Block	1
3	Ball Guide Washer	4
4	Ball Guide	1
5	Retainer Plate	1
6	Piston Shoe	9
7	Thrust Plate	1

**HITACHI**

**EM 56 мотор ходу**

NO.	Description	Quantity/Set
1	Valve Plate M	1
2	Snap Ring	1
3	Washer Nether	1
4	Coil Spring	1
5	Washer Up	1
6	Cylinder Block	1
7	Ball Guide	1
8	Piston Shoe	9
9	Retainer Plate	1
10	Drive Shaft	1

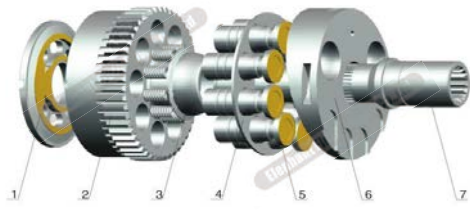
**HITACHI**

**HMGC 16/32/35**

NO.	Description	Quantity/Set
1	Valve Plate	1
2	Cylinder Block	1
3	Spring	1
4	Piston Shoe	7
5	Center Pin	1
6	Friction Plate	3
7	Seperation Plate	2
8	Drive Shaft	1



## HITACHI

11

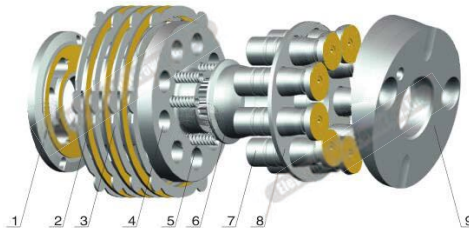


### EX 550-3 мотор ходу

NO.	Description	Quantity/Set
1	Valve Plate M	1
2	Cylinder Block	1
3	Ball Guide	1
4	Retainer Plate	1
5	Piston Shoe	9
6	Swash Plate	1
7	Drive Shaft	1

## HITACHI

12

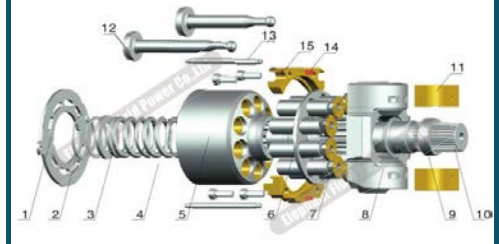


### HMGE 36EA (ZX200 мотор ходу)

NO.	Description	Quantity/Set
1	Valve Plate M	1
2	Friction Plate	3
3	Seperation Plate	4
4	Cylinder Block	1
5	Spring	6
6	Ball Guide	1
7	Piston Shoe	9
8	Drive Shaft	1
9	Swash Plate	1

## HITACHI

13

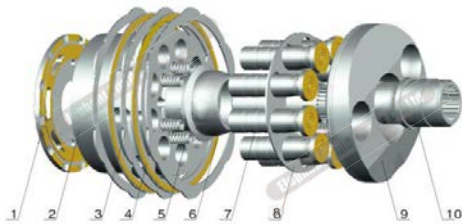


### HMF 160/200

NO.	Description	Quantity/Set
1	Valve Plate M	1
2	Snap Ring	1
3	Coil Spring	1
4	Washer	2
5	Cylinder Block	1
6	Retainer Plate	1
7	Piston Shoe	9
8	Swash Plate	1
9	Drive Shaft Sleeve	1
10	Drive Shaft	1
11	Saddle Bearing	1
12	Servo Piston	1
13	Press Pin	2
14	Retainer Bolt	4
15	Retainer	2

## HITACHI

14

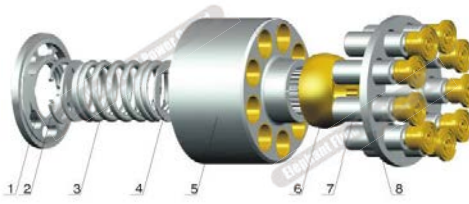


### ZX330-2 мотор ходу

NO.	Description	Quantity/Set
1	Valve Plate	1
2	Cylinder Block	1
3	Seperation Plate	3
4	Friction Plate	4
5	Spring	6
6	Ball Guide	1
7	Piston Shoe	9
8	Retainer Plate	1
9	Swash Plate	1
10	Drive Shaft	1

## CAT

1

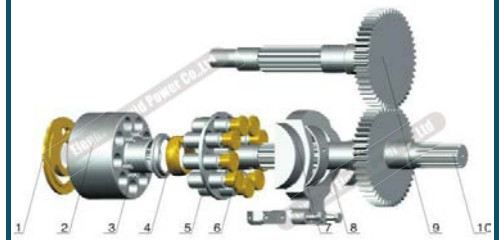


### VRD 63 (CAT120)

NO.	Description	Quantity/Set
1	Valve Plate	2
2	Snap Ring	2
3	Spring	2
4	Washer	4
5	Cylinder Block	2
6	Ball Guide	2
7	Piston Shoe	18
8	Retainer Plate	2
9	Swash Plate	2
10	Support	2

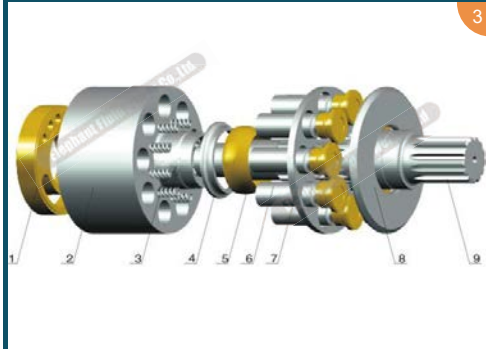
## CAT

2

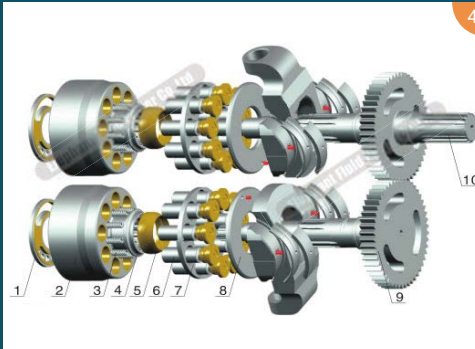


### SBS 80 (CAT312C)

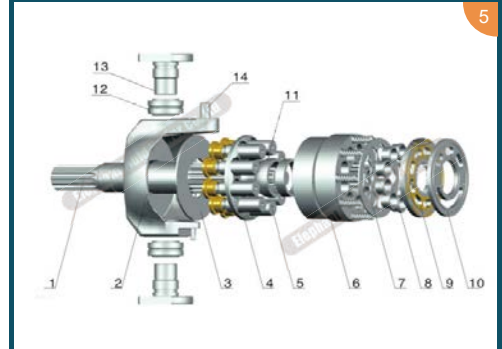
NO.	Description	Quantity/Set
1	Valve Plate L/R	1
2	Cylinder Block	2
3	Ball Guide Spring	6
4	Ball Guide	2
5	Retainer Plate	2
6	Piston Shoe	18
7	Swash Plate	9
8	Saddle Bearing	1
9	Driven Shaft	1
10	Drive Shaft	1

**CAT**

**E200B/AP-12/14 / SPK10/10**

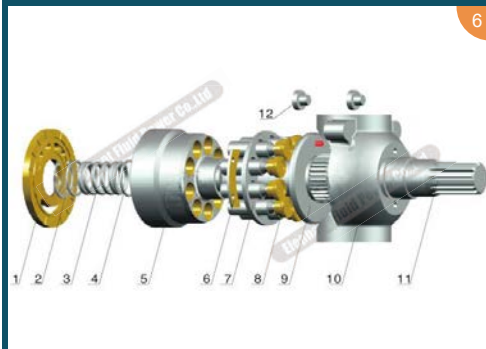
NO.	Description	Quantity/Set
1	Valve Plate	1
2	Cylinder Block	2
3	Spring	18
4	Washer	2
5	Ball Guide	2
6	Piston Shoe	18
7	Retainer Plate	2
8	Thrust Plate	2
9	Drive Shaft	1
10	Axial Shaft	4
11	Bearing	4
12	Charge Pump	1

**CAT**

**CAT 320C**

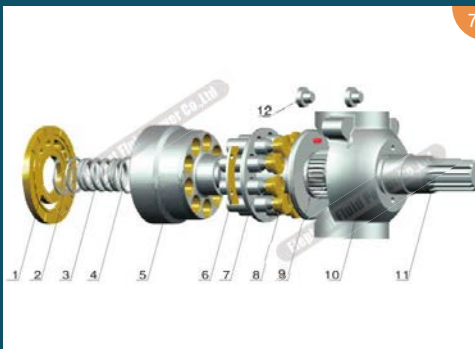
NO.	Description	Quantity/Set
1	Valve Plate L/R	1
2	Cylinder Block	2
3	Spring	18
4	Washer	2
5	Ball Guide	2
6	Piston Shoe	18
7	Retainer Plate	2
8	Thrust Plate	2
9	Driven Shaft	1
10	Drive Shaft	1
11	Axial Shaft	4
12	Bearing	4
13	Servo Piston	1

**CAT**

**SPV 10/10 (MS 180)**

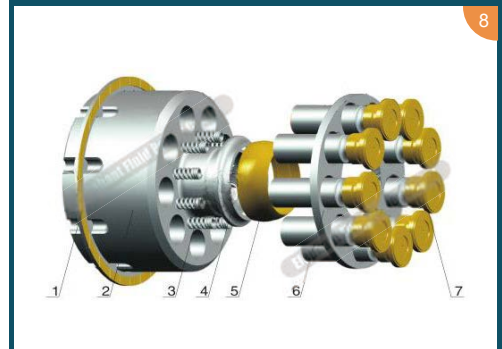
NO.	Description	Quantity/Set
1	Drive Shaft	1
2	Swash Plate	1
3	Thrust Plate	2
4	Retainer Plate	2
5	Piston Shoe	18
6	Cylinder Block	2
7	Retainer Plate	2
8	Drum Seal	1
9	Bearing Plate	2
10	Valve Plate L/R	1
11	Ball Guide	2
12	Bearing	2
13	Axial Shaft	4
14	Pin 1/ Pin 2	1

**CAT**

**CAT 12G/14G/16G**

NO.	Description	Quantity/Set
1	Valve Plate	1
2	Snap Ring	1
3	Coil Spring	1
4	Washer	2
5	Cylinder Block	1
6	Retainer	1
7	Retainer Plate	1
8	Piston Shoe	9
9	Thrust Plate	1
10	Swash Plate	1
11	Drive Shaft	1
12	Locating Pin	2

**CAT**

**CAT 215 / 245 / 992**

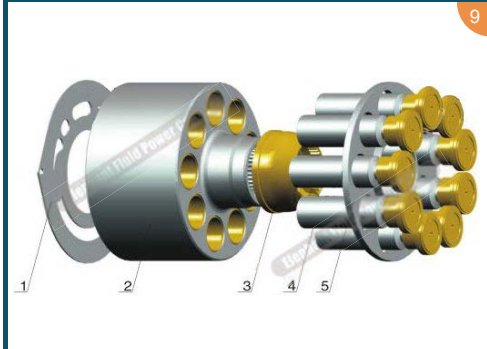
NO.	Description	Quantity/Set
1	Valve Plate	1
2	Snap Ring	1
3	Coil Spring	1
4	Washer	2
5	Cylinder Block	1
6	Retainer	1
7	Retainer Plate	1
8	Piston Shoe	9
9	Thrust Plate	1
10	Swash Plate	1
11	Drive Shaft	1
12	Locating Pin	2

**CAT**

**PSV 450 / PSV 600**

NO.	Description	Quantity/Set
1	Friction Plate	3
2	Cylinder Block	1
3	Spring	9
4	Ball Guide Washer	1
5	Ball Guide	1
6	Retainer Plate	1
7	Piston Shoe	9
8	Valve Plate	1



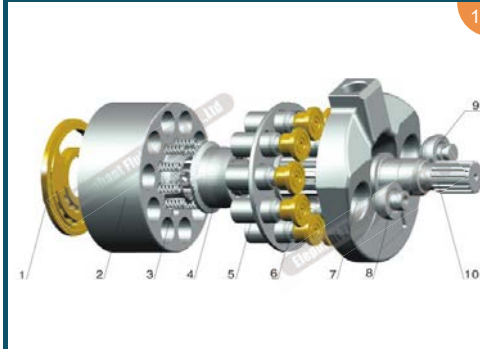
## CAT



### CAT 385H

NO.	Description	Quantity/Set
1	Valve Plate	1
2	Cylinder Block	1
3	Ball Guide	1
4	Piston Shoe	9
5	Retainer Plate	1

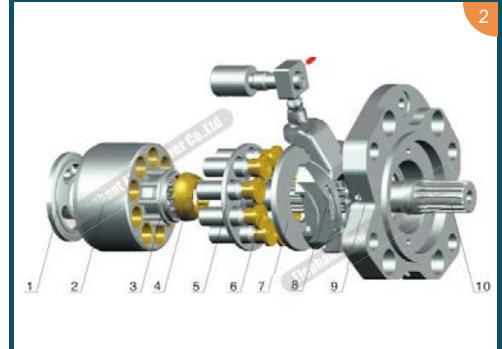
## KAWASAKI



### K3SP 36C (SDV36) 8T

NO.	Description	Quantity/Set
1	Valve Plate	1
2	Cylinder Block	1
3	Ball Guide Spring	10
4	Ball Guide	1
5	Retainer Plate	1
6	Piston Shoe	10
7	Swash Plate	1
8	Yoke Ball Left	1
9	Yoke Ball Right	1
10	Drive Shaft	1

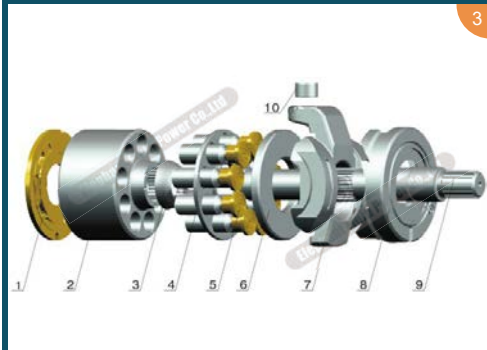
## KAWASAKI



### K3V DT / G / K5V

NO.	Description	Quantity/Set
1	Valve Plate	2
2	Cylinder Block	2
3	Washer	2
4	Ball Guide	2
5	Retainer Plate	2
6	Piston Shoe	18
7	Thrust Plate	2
8	Swash Plate	2
9	Support	2
10	Drive Shaft Front/Rear	1

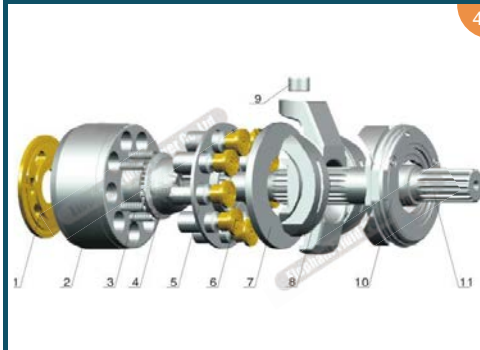
## KAWASAKI



### K3VL 45 / 80

NO.	Description	Quantity/Set
1	Valve Plate	1
2	Cylinder Block	1
3	Ball Guide	1
4	Retainer Plate	1
5	Piston Shoe	9
6	Thrust Plate	1
7	Swash Plate	1
8	Support	1
9	Drive Shaft	1
10	Swash Plate Sleeve	1

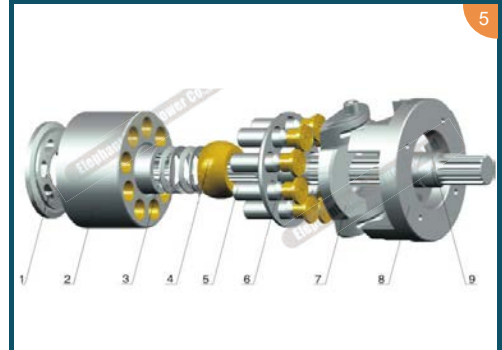
## KAWASAKI



### K7V 63

NO.	Description	Quantity/Set
1	Valve Plate	2
2	Cylinder Block	2
3	Ball Guide Spring	12
4	Ball Guide	2
5	Retainer Plate	2
6	Piston Shoe	18
7	Thrust Plate	2
8	Swash Plate	2
9	Swash Plate Sleeve	2
10	Support	2
11	Drive Shaft	2

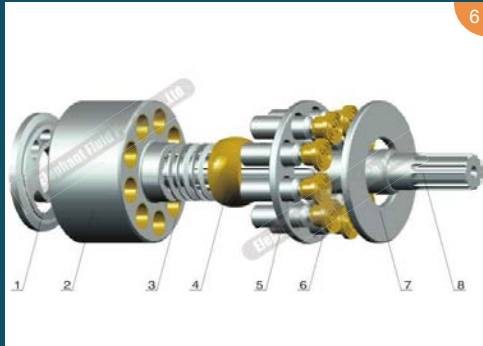
## KAWASAKI



### NV DT / NV

NO.	Description	Quantity/Set
1	Valve Plate L/R	1
2	Cylinder Block	2
3	Disc Spring	8
4	Ball Guide	2
5	Piston Shoe	18
6	Retainer Plate	2
7	Swash Plate	2
8	Support	2
9	Drive Shaft Front/Rear	1

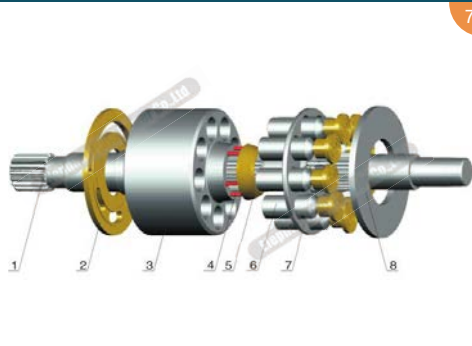
## KAWASAKI



### NX 15

NO.	Description	Quantity/Set
1	Valve Plate	1
2	Cylinder Block	1
3	Disc Spring	4
4	Ball Guide	1
5	Retainer Plate	1
6	Piston Shoe	9
7	Thrust Plate	1
8	Drive Shaft	1

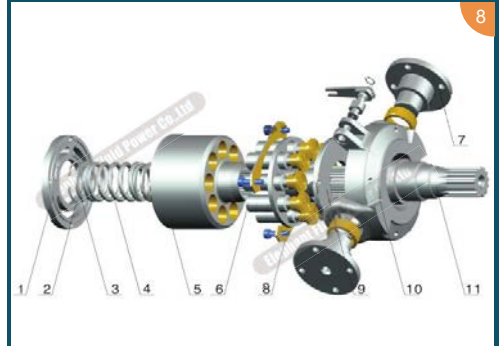
## KAWASAKI



### NVK 45 (KOBELCO EXCAVATOR)

NO.	Description	Quantity/Set
1	Drive Shaft	2
2	Valve Plate	2
3	Cylinder Block	2
4	Press Pin	12
5	Ball Guide	2
6	Piston Shoe	18
7	Retainer Plate	2
8	Thrust Plate	2

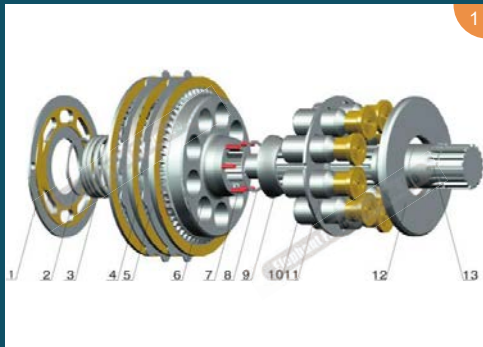
## KAWASAKI



### KVC 925 / KVC 930 / KVC 932

NO.	Description	Quantity/Set
1	Valve Plate	1
2	Snap Ring	1
3	Washer	2
4	Spring	1
5	Cylinder Block	1
6	Piston Shoe	9
7	Axial Shaft	2
8	Retainer Plate	1
9	Thrust Plate	1
10	Swash Plate	1
11	Drive Shaft	1

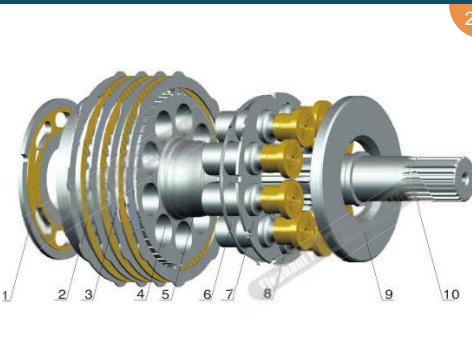
## KAWASAKI поворот



### M2X

NO.	Description	Quantity/Set
1	Valve Plate	1
2	Washer	1
3	Coli Spring	1
4	Friction Plate	3
5	Seperation Plate	4
6	Cylinder Block	1
7	Press Pin	6
8	Washer	1
9	Ball Guide	1
10	Piston Shoe	9
11	Retainer Plate	1
12	Thrust Plate	1
13	Drive Shaft	1

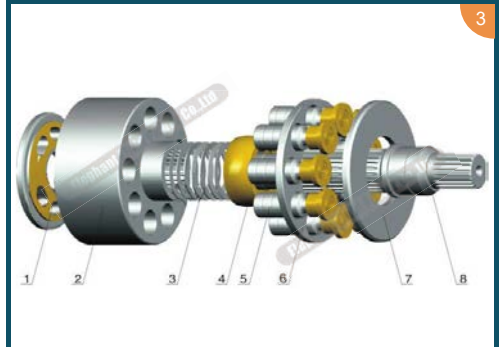
## KAWASAKI поворот



### M5X 130(CAT320C) / M5X 180 (KOBELCO 350-8 мотор повороту)

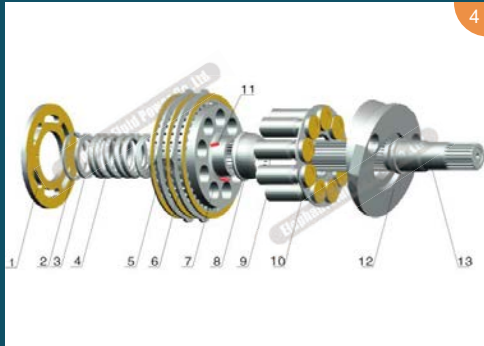
NO.	Description	Quantity/Set
1	Valve Plate M	1
2	Friction Plate	3
3	Seperation Plate	4
4	Cylinder Block	1
5	Ball Guide	1
6	Retainer Plate	1
7	Retainer	1
8	Piston Shoe	9
9	Thrust Plate	1
10	Drive Shaft	1

## KAWASAKI поворот

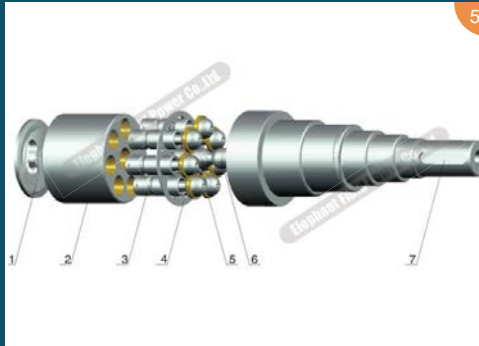


### MX

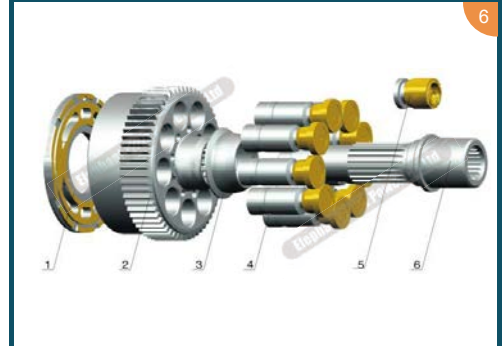
NO.	Description	Quantity/Set
1	Valve Plate	1
2	Cylinder Block	1
3	Disc Spring	1
4	Ball Guide	1
5	Piston Shoe	9
6	Retainer Plate	1
7	Thrust Plate	1
8	Drive Shaft	1

**KAWASAKI поворот**

**MAG**

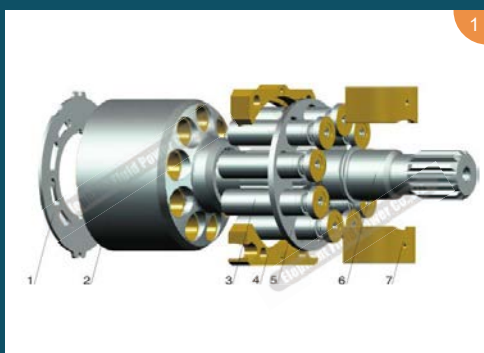
NO.	Description	Quantity/Set
1	Valve Plate	1
2	Snap Ring	1
3	Washer	1
4	Coli Spring	1
5	Friction Plate	3
6	Seperation Plate	4
7	Cylinder Block	1
8	Ball Guide	1
9	Piston Shoe	9
10	Retainer Plate	1
11	Press Pin	6
12	Swash Plate	1
13	Drive Shaft	1

**KAWASAKI поворот**

**LZV30/120 / LVWO 60**

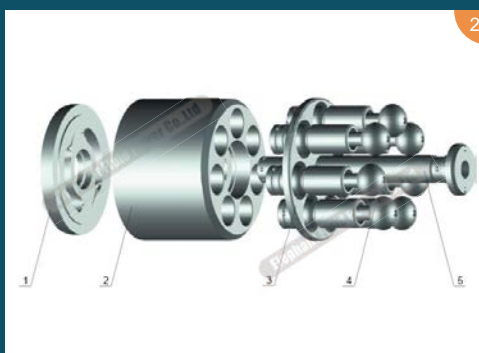
NO.	Description	Quantity/Set
1	Valve Plate	1
2	Cylinder Block	1
3	Piston Shoe	7
4	Retainer Plate	1
5	Spherical Washer	7
6	Center Pin	1
7	Main Shaft	1

**KAWASAKI поворот**

**TM40VD мотор ходу**

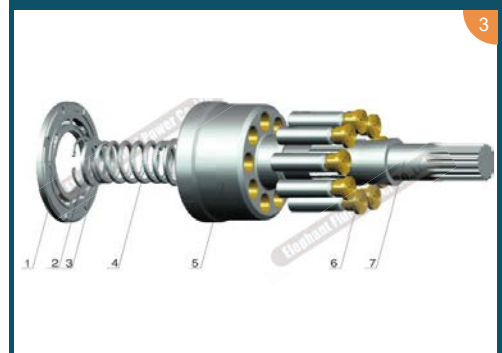
NO.	Description	Quantity/Set
1	Valve Plate M	1
2	Cylinder Block	1
3	Ball Guide	1
4	Piston Shoe	9
5	Yoke Piston	1
6	Drive Shaft	1

**LINDE**

**HPV T / HPR / HMR**

NO.	Description	Quantity/Set
1	Valve Plate	1
2	Cylinder Block	1
3	Piston Shoe	9
4	Retainer	2
5	Retainer Plate	1
6	Drive Shaft	1
7	Saddle Bearing	2
8	Swash Plate	1
9	Support	1

**LINDE**

**B2PV**

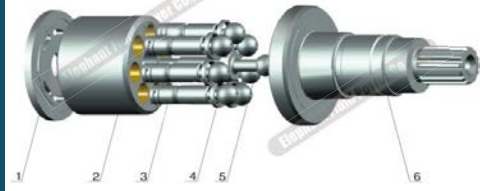
NO.	Description	Quantity/Set
1	Valve Plate	1
2	Cylinder Block	1
3	Retainer Plate	1
4	Piston Shoe	7
5	Center Pin	1
6	Ball Guide	1

**LINDE**

**BPV**

NO.	Description	Quantity/Set
1	Valve Plate	1
2	Snap Ring	1
3	Washer	2
4	Spring	1
5	Cylinder Block	1
6	Piston Shoe	9
7	Main Shaft	1

## LINDE

4

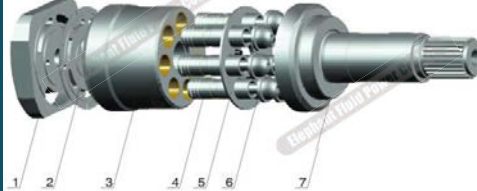


### BMV 75.27

NO.	Description	Quantity/Set
1	Valve Plate	1
2	Cylinder Block	1
3	Piston Shoe	7
4	Spherical Washer	7
5	Center Pin	1
6	Drive Shaft	1

## LINDE

5



### BPR

NO.	Description	Quantity/Set
1	Swash Plate	1
2	Valve Plate M	1
3	Cylinder Block	1
4	Piston Shoe	7
5	Retainer Plate	1
6	Spherical Washer	7
7	Drive Shaft	1

## LINDE

6

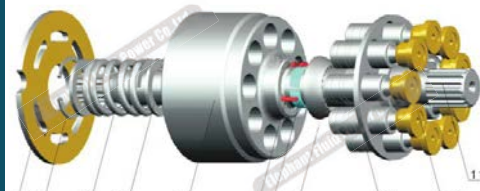


### BMF

NO.	Description	Quantity/Set
1	Valve Plate	1
2	Cylinder Block	1
3	Center Pin	1
4	Retainer Plate	1

## EATON

1

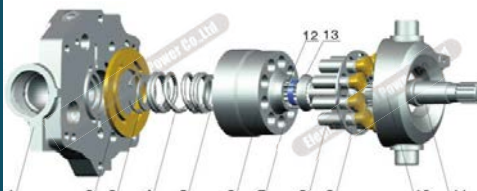


006 / 3322 / 3932-243 / 4621 / 4631-007 / 5421 / 5431 / 6423 / 7621 / 78462 / CASE 1460

NO.	Description	Quantity/Set
1	Valve Plate L/R/M	1
2	Snap Ring	1
3	Spring	2
4	Washer	1
5	Cylinder Block	1
6	Press Pin	3
7	Back-UP Ring	2
8	Ball Guide	1
9	Retainer Plate	1
10	Piston Shoe	9
11	Drive Shaft	1
12	Shaft Seal Kits	1
13	Shaft Seal Kits	1

## EATON-VICKERS

2

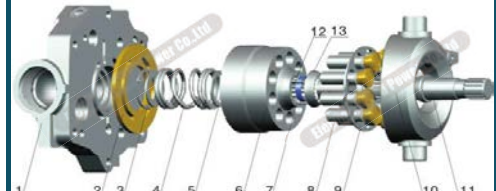


### PVE 19 / PVE 21 / TA 19

NO.	Description	Quantity/Set
1	Rear Cover	1
2	Valve Plate L/R	1
3	Snap Ring	1
4	Spring	1
5	Washer	2
6	Cylinder Block	1
7	Back-UP Ring	1
8	Piston Shoe	9
9	Retainer Plate	1
10	Swash Plate	1
11	Drive Shaft	1
12	Press Pin	1
13	Ball Guide	1

## EATON-VICKERS

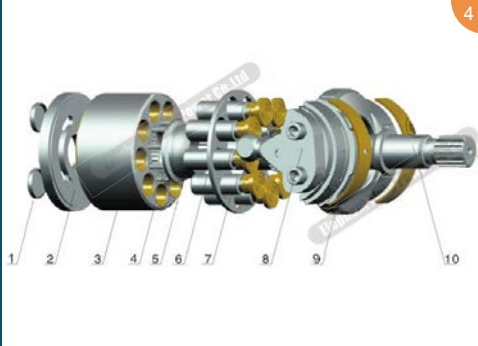
3



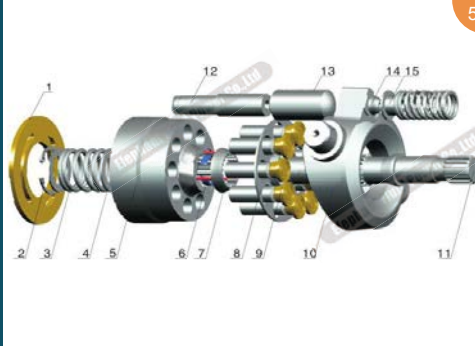
### PVH

NO.	Description	Quantity/Set
1	Valve Plate M	1
2	Snap Ring	1
3	Spring	1
4	Washer	2
5	Counter Piston Assy	1
6	Cylinder Block	1
7	Bolt	4
8	Retainer	2
9	Retainer Plate	2
10	Piston Shoe	18
11	Spacer	2
12	Saddle Bearing	2
13	Drive Shaft	1
14	Valve	1
15	Swash Plate	1

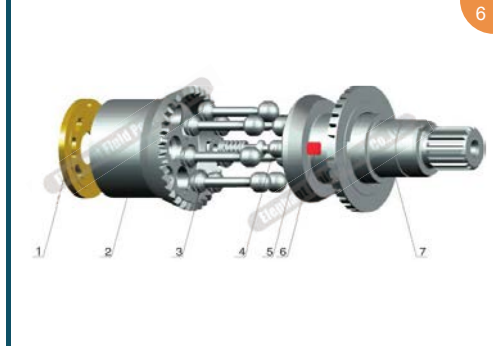


**EATON-VICKERS**

**PVB / PVBQA29-SR**

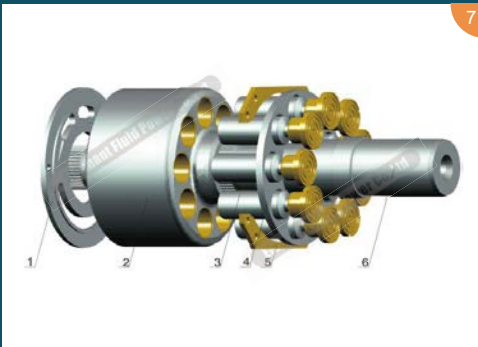
NO.	Description	Quantity/Set
1	Rear Cover	1
2	Valve Plate	1
3	Cylinder Block	1
4	Spring	1
5	Ball Guide	1
6	Piston Shoe	9
7	Retainer Plate	1
8	Swash Plate	1
9	Saddle Bearing	2
10	Drive Shaft	1
11	Thrust Plate	1
12	Valve	1

**EATON-VICKERS**

**PVQ40/50**

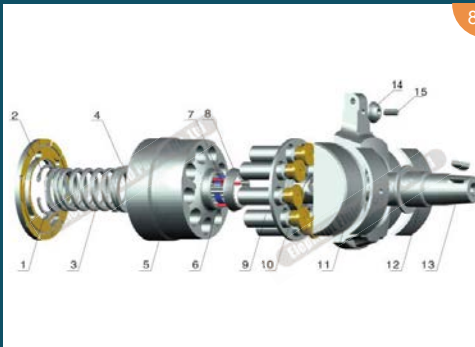
NO.	Description	Quantity/Set
1	Valve Plate M	1
2	Snap Ring	1
3	Spring	1
4	Washer	1
5	Cylinder Block	1
6	Back-UP Ring	1
7	Ball Guide	1
8	Retainer Plate	1
9	Piston Shoe	9
10	Swash Plate	1
11	Drive Shaft	1
12	Servo Piston Rod	1
13	Servo Piston Guide	1
14	Yoke Ball	1
15	Ball Support	1

**PARKER-VOLVO**

**VOLVO / F11 / F12-MF-1H**

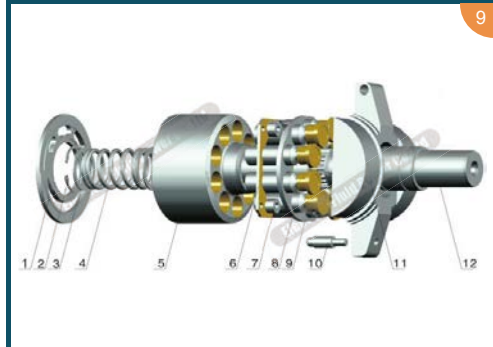
NO.	Description	Quantity/Set
1	Valve Plate	1
2	Cylinder Block	1
3	Piston Shoe	5
4	Center Pin	1
5	Drive Shaft	1
6	Drive Shaft Key	1
7	Driven Shaft	1

**VICKERS**

**PVSO**

NO.	Description	Quantity/Set
1	Valve Plate	1
2	Cylinder Block	1
3	Piston Shoe	9
4	Retainer Plate	1
5	Retainer	2
6	Drive Shaft	1
7	Retainer	1
8	Saddle Bearing	2

**VICKERS**

**PVM**

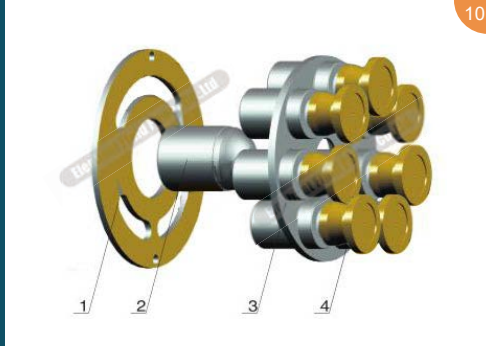
NO.	Description	Quantity/Set
1	Valve Plate M	1
2	Snap Ring	1
3	Spring	1
4	Washer	2
5	Cylinder Block	1
6	Back-UP Ring	1
7	Press Pin	3
8	Ball Guide	1
9	Piston Shoe	9
10	Retainer Plate	1
11	Swash Plate	1
12	Saddle Bearing	2
13	Center Pin	1
14	Yoke Ball	1
15	Ball Support	1

**VICKERS-PARKER**

**VICKERS BMHQ / PV180 PARKER**

NO.	Description	Quantity/Set
1	Valve Plate	1
2	Snap Ring	1
3	Coil Spring	1
4	Washer	2
5	Cylinder Block	1
6	Retainer	1
7	Spacer	1
8	Piston Shoe	9
9	Retainer Plate	1
10	Locating Pin	1
11	Swash Plate	1
12	Drive Shaft	2

**PARKER**

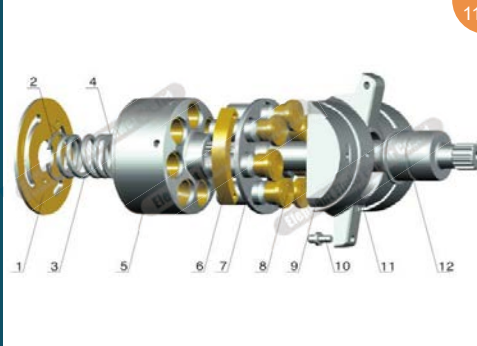
10


**PAVC**

NO.	Description	Quantity/Set
1	Valve Plate	1
2	Cylinder Block	1
3	Retainer Plate	1
4	Piston Shoe	7

**PARKER**

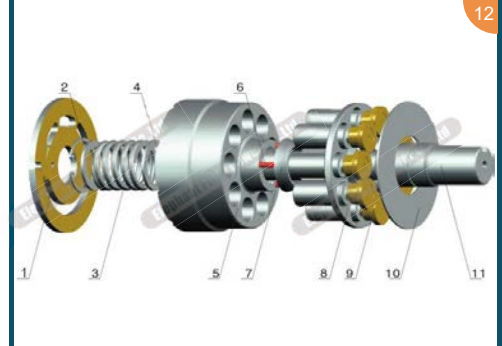
11


**2145 / P2145 / 23 / P2075/ P2105 / P2060**

NO.	Description	Quantity/Set
1	Valve Plate	1
2	Snap Ring	1
3	Spring	1
4	Washer	2
5	Cylinder Block	1
6	Retainer	2
7	Retainer Plate	1
8	Piston Shoe	9
9	Swash Plate	1
10	Yoke Piston	1
11	Saddle Bearing	2
12	Drive Shaft	1

**PARKER**

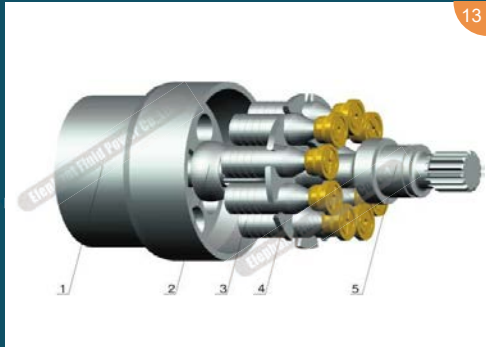
12


**PV 29 / PV 74**

NO.	Description	Quantity/Set
1	Valve Plate	1
2	Snap Ring	1
3	Washer	1
4	Spring	2
5	Cylinder Block	1
6	Press Pin	3
7	Ball Guide	1
8	Retainer Plate	1
9	Piston Shoe	9
10	Thrust Plate	1
11	Drive Shaft	1

**VICKERS**

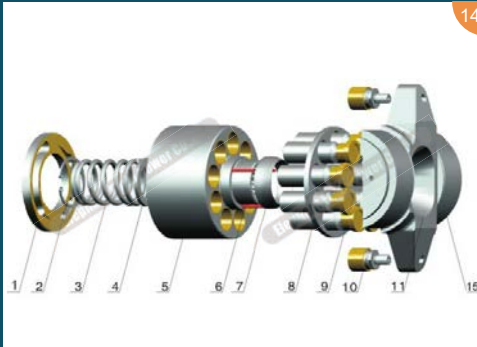
13


**PVG 130 B**

NO.	Description	Quantity/Set
1	Cylinder Block	1
2	Ball Guide	1
3	Piston Shoe	9
4	Retainer Plate	1
5	Drive Shaft	1

**VICKERS**

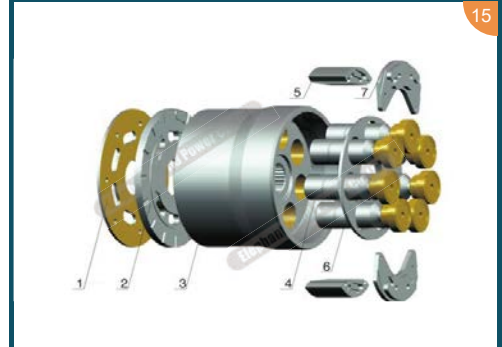
14


**PVT**

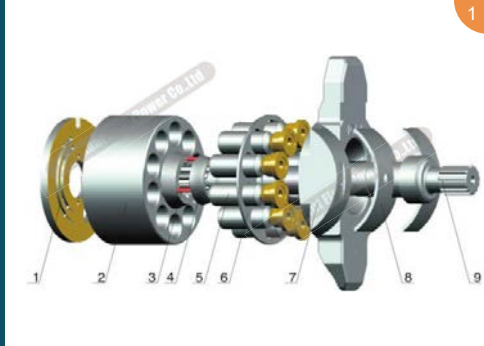
NO.	Description	Quantity/Set
1	Valve Plate	1
2	Snap Ring	1
3	Coil Spring	1
4	Washer	2
5	Cylinder Block	1
6	Press Pin	1
7	Ball Guide	1
8	Retainer Plate	9
9	Piston Shoe	1
10	Servo Piston	1
11	Swash Plate	1
12	Saddle Bearing	2

**VICKERS**

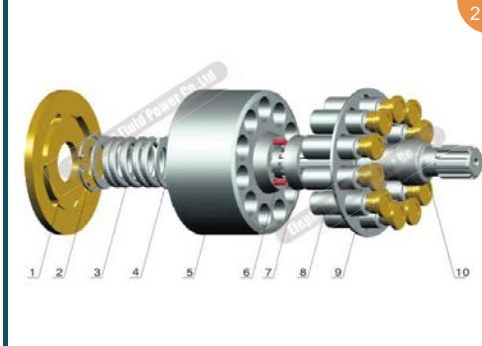
15


**SH5V / 131**

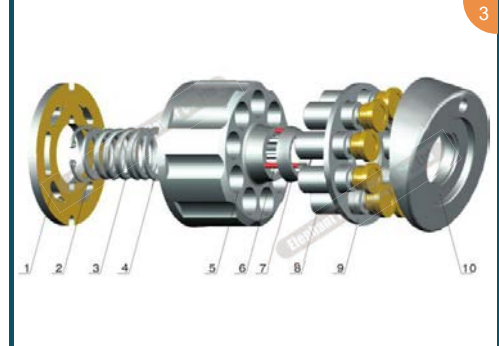
NO.	Description	Quantity/Set
1	Bearing Plate	1
2	Valve Plate	1
3	Cylinder Block	1
4	Piston Shoe	9
5	Retainer	1
6	Retainer Plate	1
7	Retainer 1	2
8	Retainer 2	2

**NACHI**

**PVD-2B**

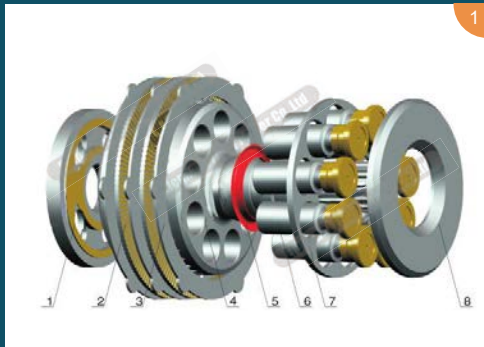
NO.	Description	Quantity/Set
1	Valve Plate	1
2	Cylinder Block	1
3	Press Pin	3
4	Ball Guide	1
5	Piston Shoe	2
6	Retainer Plate	1
7	Swash Plate	1
8	Saddle Bearing	2
9	Drive Shaft	1

**NACHI**

**PVK-2B-505 (ZAX55 гл. насос)**

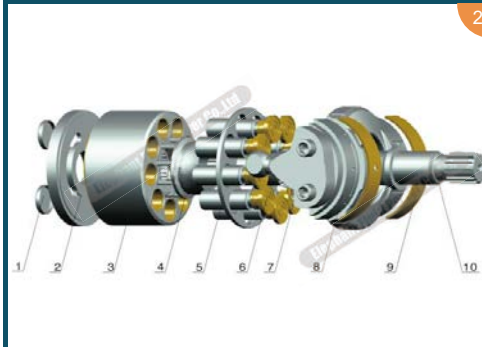
NO.	Description	Quantity/Set
1	Valve Plate	1
2	Snap Ring	1
3	Spring	1
4	Washer	2
5	Cylinder Block	1
6	Press Pin	3
7	Ball Guide	1
8	Piston Shoe	11
9	Retainer Plate	1
10	Drive Shaft	1

**NACHI**

**YC35-6/PCL-200-18B (YUCHA 55 мотор повороту)**

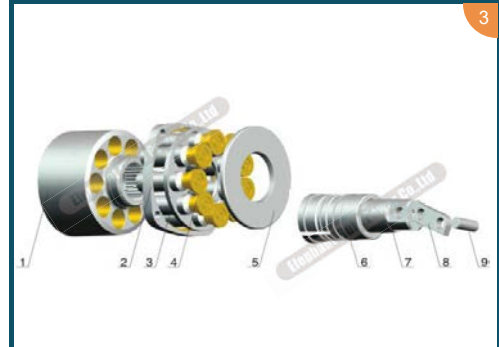
NO.	Description	Quantity/Set
1	Valve Plate	1
2	Snap Ring	1
3	Spring	1
4	Washer	2
5	Cylinder Block	1
6	Press Pin	3
7	Ball Guide	1
8	Piston Shoe	9
9	Retainer Plate	1
10	Swash Plate	1

**TOSHIBA**

**SG**

NO.	Description	Quantity/Set
1	Valve Plate	1
2	Friction Plate	2
3	Seperation Plate	3
4	Cylinder Block	1
5	Washer	1
6	Piston Shoe	9
7	Retainer Plate	1
8	Thrust Plate	1

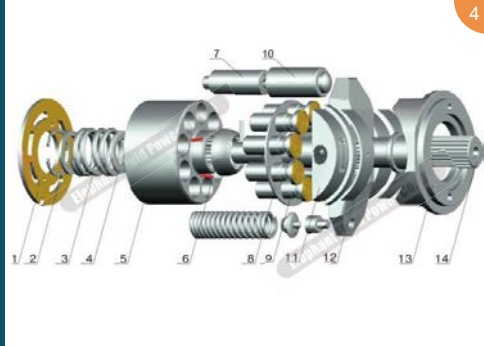
**TOSHIBA**

**PVB**

NO.	Description	Quantity/Set
1	Nut	2
2	Valve Plate	1
3	Cylinder Block	1
4	Ball Guide	1
5	Retainer Plate	1
6	Piston Shoe	9
7	Servo Block	1
8	Swash Plate	1
9	Saddle Bearing	2
10	Drive Shaft	1

**TOSHIBA**

**PV**

NO.	Description	Quantity/Set
1	Cylinder Block	1
2	Retainer	1
3	Retainer Plate	1
4	Piston Shoe	9
5	Thrust Plate	1
6	Servo Piston Guide	1
7	Servo Piston	1
8	Block	1
9	Pin	1

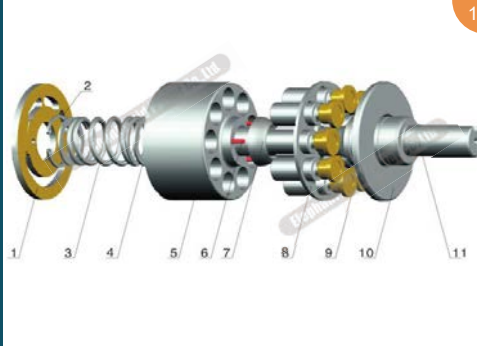
## TOSHIBA



### PSVD SERIES

NO.	Description	Quantity/Set
1	Valve Plate L/R	1
2	Snap Ring	1
3	Coli Spring	1
4	Washer	2
5	Cylinder Block	1
6	Ball Guide	1
7	Control Piston	1
8	Retainer Plate	1
9	Piston Shoe	9
10	Control Piston Guide	1
11	Swash Plate	1
12	Saddle Bearing	2
13	Support	1
14	Drive Shaft	1

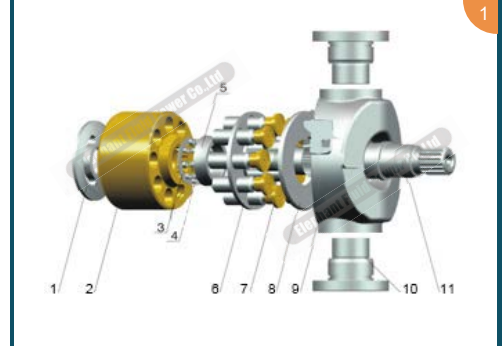
## YUKEN



### A16 / A22 / A37 / A45 / A56 / A70 / A90 / A145

NO.	Description	Quantity/Set
1	Valve Plate	1
2	Snap Ring	1
3	Washer	2
4	Spring	1
5	Cylinder Block	1
6	Press Pin	3
7	Ball Guide	1
8	Piston Shoe	9
9	Retainer Plate	1
10	Thrust Plate	1
11	Drive Shaft	1

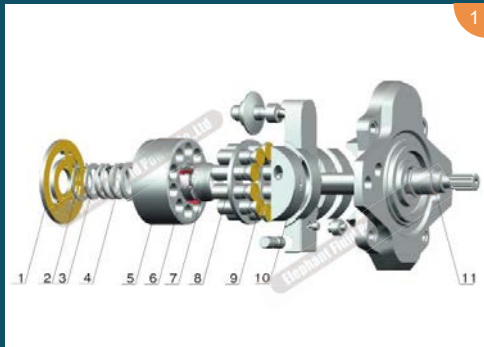
## LIEBHERR



### LPVD

NO.	Description	Quantity/Set
1	Valve Plate	1
2	Cylinder Block	1
3	Snap Ring	1
4	Coli Spring	9
5	Ball Guide	1
6	Retainer Plate	1
7	Piston Shoe	9
8	Thrust Plate	1
9	Swash Plate	1
10	Bearing Seat	4
11	Drive Shaft	1

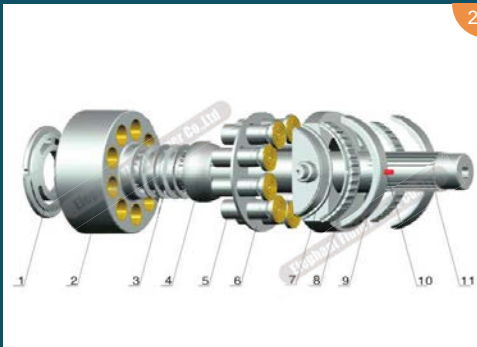
## KAYABA



### PSVD 2-E / SVD / PSVL

NO.	Description	Quantity/Set
1	Valve Plate	1
2	Snap Ring	1
3	Washer	2
4	Spring	1
5	Cylinder Block	1
6	Press Pin	3
7	Ball Guide	1
8	Retainer Plate	1
9	Piston Shoe	10
10	Swash Plate	1
11	Drive Shaft	1
12	Charge Pump	1

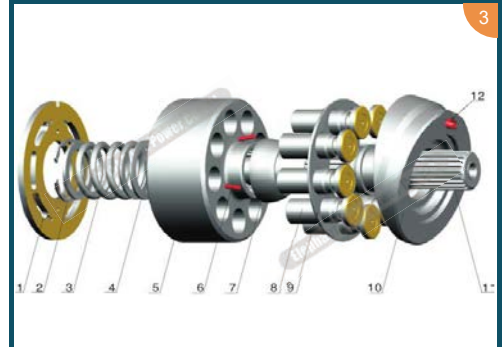
## KAYABA



### PSV2-55T (KYB) SUMITOMO 120

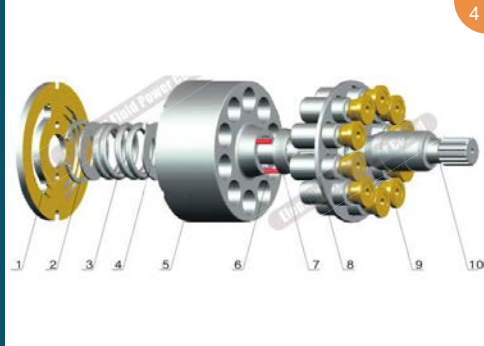
NO.	Description	Quantity/Set
1	Valve Plate	1
2	Cylinder Block	1
3	Disc Spring	1
4	Ball Guide	1
5	Piston Shoe	9
6	Retainer Plate	1
7	Swash Plate	1
8	Saddle Bearing	2
9	Saddle Bearing	2
10	Locating Pin	2
11	Drive Shaft	1
12	Charge Pump	1

## KAYABA

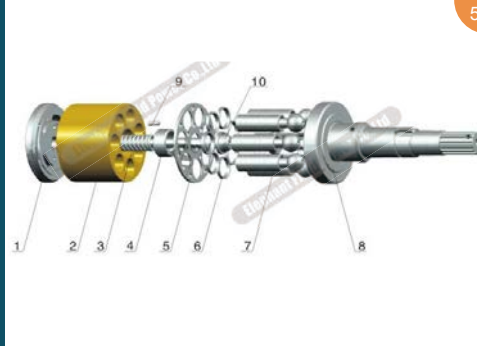


### MSF-85 / GMY18

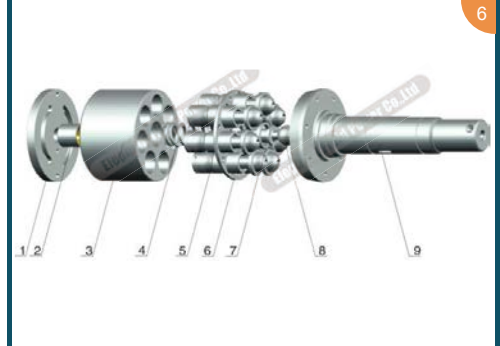
NO.	Description	Quantity/Set
1	Valve Plate M	1
2	Snap Ring	1
3	Coli Spring	1
4	Washer	2
5	Cylinder Block	1
6	Press Pin	3
7	Ball Guide	1
8	Piston Shoe	9
9	Retainer Plate	1
10	Swash Plate	1
11	Drive Shaft	1
12	Pin	1

**KAYABA**

**KYB-25CC / IHISCE 60 / PSVK2-25**

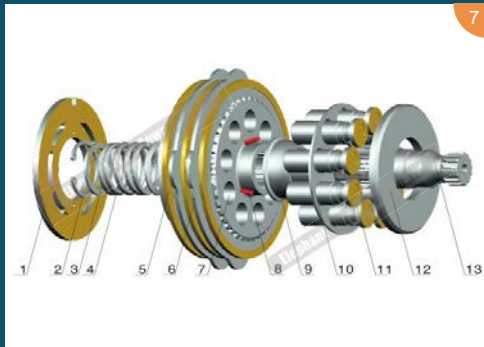
NO.	Description	Quantity/Set
1	Valve Plate	1
2	Snap Ring	1
3	Coli Spring	1
4	Washer	2
5	Cylinder Block	1
6	Press Pin	3
7	Ball Guide	1
8	Retainer Plate	1
9	Piston Shoe	9
10	Drive Shaft	1

**KAYABA**

**KMF**

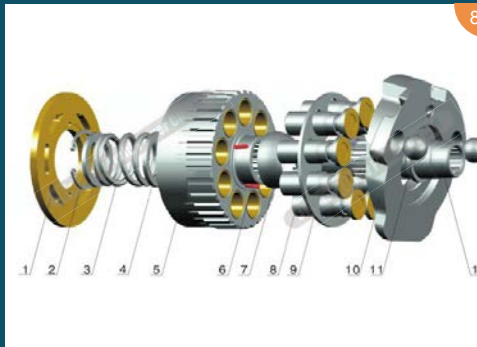
NO.	Description	Quantity/Set
1	Valve Plate	1
2	Cylinder Block	1
3	Coli Spring	1
4	Sleeve	1
5	Retainer Plate	1
6	Spherical Washer	7
7	Piston Shoe	7
8	Drive Shaft	1

**KAYABA**

**KYB33 / KYB36 / KYB87 / KYB90 (MSG-60P)**

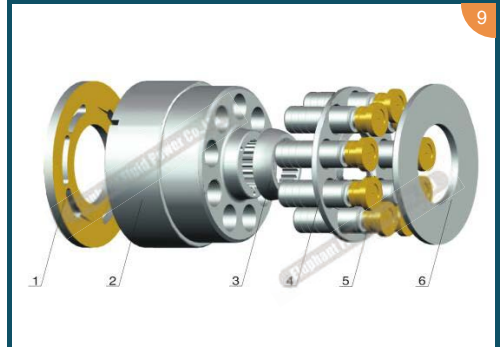
NO.	Description	Quantity/Set
1	Valve Plate	1
2	Sleeve	1
3	Cylinder Block	1
4	Coli Spring	1
5	Piston Shoe	7
6	Retainer Plate	1
7	Spherical Washer	7
8	Center Pin	1
9	Drive Shaft	1

**KAYABA**

**MSG-27P (KYB) / (LSGMF27/10W) /  
MSG-44P (KYB) / LSGMF44 / 10W-R21**

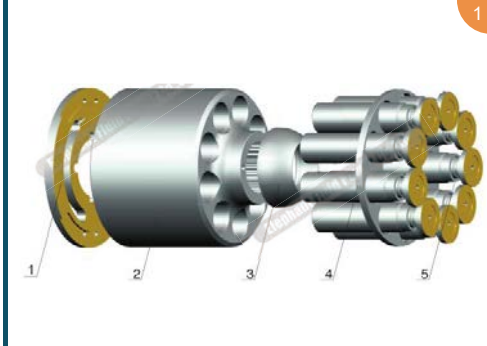
NO.	Description	Quantity/Set
1	Valve Plate	1
2	Snap Ring	1
3	Washer	2
4	Spring	1
5	Friction Plate	3
6	Seperation Plate	2
7	Cylinder Block	1
8	Press Pin	3
9	Ball Guide	1
10	Retainer Plate	1
11	Piston Shoe	9
12	Thrust Plate	1
13	Drive Shaft	1

**KAYABA**

**MAG-33VP-480E-2 (4-5.5T мотор ходу)**

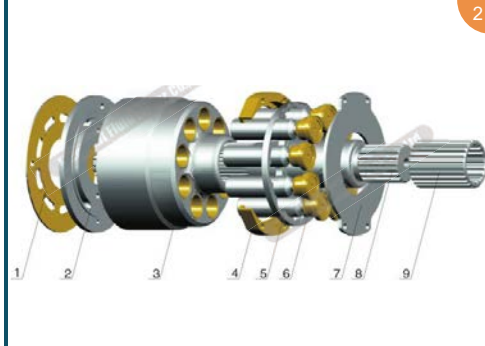
NO.	Description	Quantity/Set
1	Valve Plate	1
2	Snap Ring	1
3	Spring	1
4	Washer	2
5	Cylinder Block	1
6	Press Pin	3
7	Ball Guide	1
8	Piston Shoe	9
9	Retainer Plate	1
10	Swash Plate	1
11	Press Ball	2
12	Drive Shaft	1

**KAYABA**

**V25**

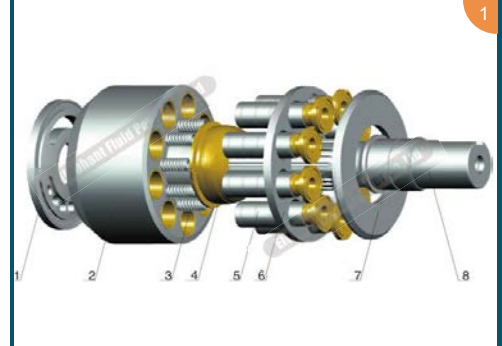
NO.	Description	Quantity/Set
1	Valve Plate	1
2	Cylinder Block	1
3	Ball Guide	1
4	Retainer Plate	1
5	Piston Shoe	7
6	Thrust Plate	1

**HAWE**

**V60A**

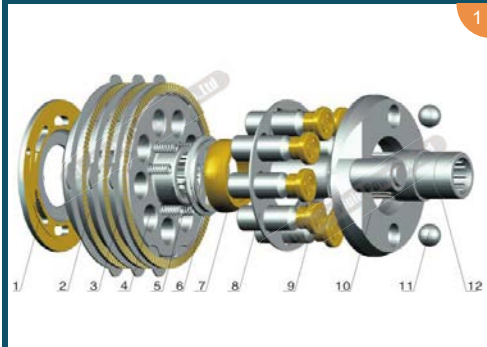
NO.	Description	Quantity/Set
1	Valve Plate	1
2	Cylinder Block	1
3	Ball Guide	1
4	Retainer Plate	1
5	Piston Shoe	9

**HAWE**

**V30D / V30Z**

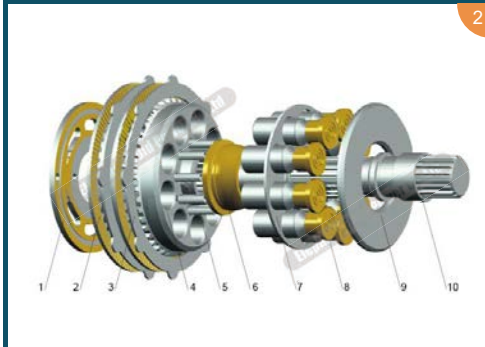
NO.	Description	Quantity/Set
1	Bearing Plate	1
2	Valve Plate	1
3	Cylinder Block	1
4	Retainer	1
5	Retainer Plate	1
6	Piston Shoe	9
7	Thrust Plate	1
8	Drive Shaft	1

**TOKIWA**

**MKV**

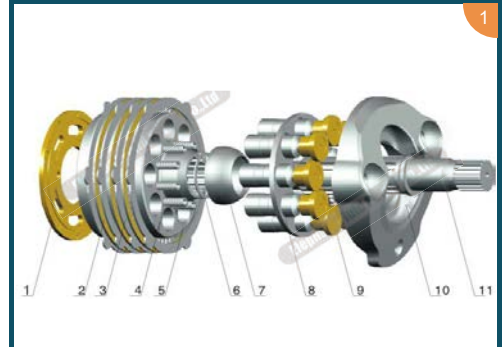
NO.	Description	Quantity/Set
1	Valve Plate L/R	1
2	Cylinder Block	1
3	Coli Spring	9
4	Ball Guide	1
5	Piston Shoe	9
6	Retainer Plate	1
7	Thrust Plate	1
8	Drive Shaft	1

**JIC SERIES**

**YC35-6/PCL-200-18B (YUCHAI 55 мотор повороту)**

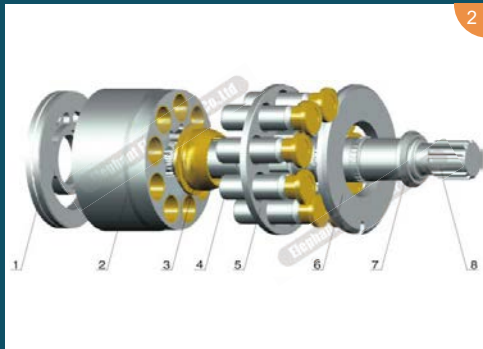
NO.	Description	Quantity/Set
1	Valve Plate L/R/M	1
2	Friction Plate	3
3	Seperation Plate	3
4	Cylinder Block	1
5	Ball Guide Spring	6
6	Ball Guide Washer	1
7	Ball Guide	1
8	Retainer Plate	1
9	Piston Shoe	9
10	Swash Plate	1
11	Servo Ball	2
12	Drive Shaft	1

**JIC SERIES**

**JMF-64 / 151-VBR / 155**

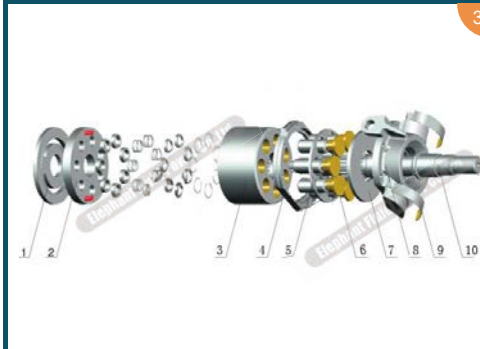
NO.	Description	Quantity/Set
1	Valve Plate M	1
2	Friction Plate	3
3	Seperation Plate	3
4	Cylinder Block	1
5	Spring	9
6	Ball Guide	1
7	Retainer Plate	1
8	Piston Shoe	9
9	Thrust Plate	1
10	Drive Shaft	1

**KOBELCO / KATO**

**SK250-8 / SK200-1/3/6 / SK220-2/3 / SK320/ SK430 / HYUNDAI 300-5 мотор повороту**

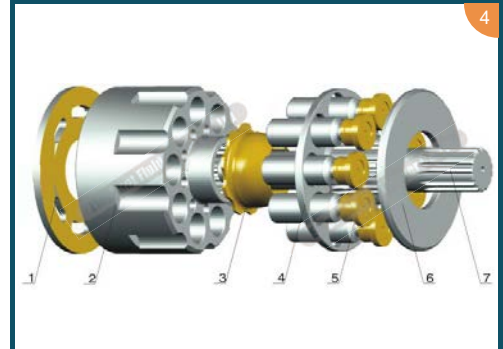
NO.	Description	Quantity/Set
1	Valve Plate	1
2	Friction Plate	3
3	Seperation Plate	4
4	Cylinder Block	1
5	Coli Spring	9
6	Washer	1
7	Ball Guide	1
8	Retainer Plate	1
9	Piston Shoe	9
10	Swash Plate	1
11	Drive Shaft	1

**KOBELCO / KATO**

**HD 450V-2 KATO**

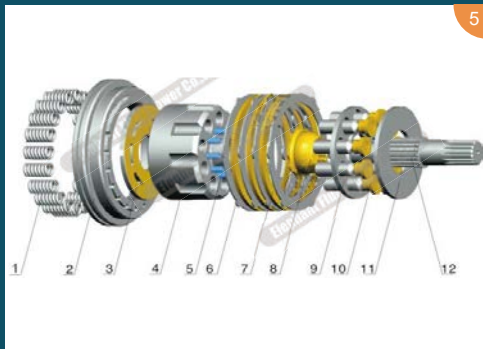
NO.	Description	Quantity/Set
1	Valve Plate	1
2	Cylinder Block	1
3	Ball Guide	1
4	Piston Shoe	9
5	Retainer Plate	1
6	Thrust Plate	1
7	Back-UP Ring	1
8	Drive Shaft	1

**KOBELCO / KATO**

**HD 3000**

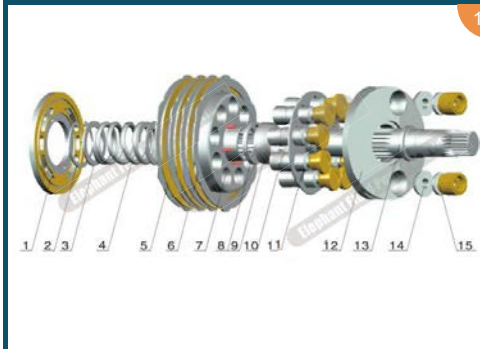
NO.	Description	Quantity/Set
1	Valve Plate M	1
2	Bearing Plate	1
3	Cylinder Block	1
4	Retainer	2
5	Retainer Plate	1
6	Piston Shoe	3
7	Ball Guide	1
8	Thrust Plate	11
9	Saddle Bearing	1
10	Drive Shaft	1

**KOBELCO / KATO**

**DH55/T3X128 / DAEWOO 300-7 / DH370 мотор повороту**

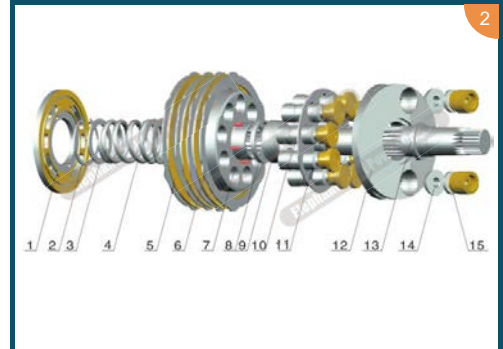
NO.	Description	Quantity/Set
1	Valve Plate	1
2	Cylinder Block	1
3	Ball Guide	1
4	Retainer Plate	1
5	Piston Shoe	9
6	Thrust Plate	1
7	Drive Shaft	1

**KOBELCO / KATO**

**HYUNDAI 60-7 / 480 мотор повороту**

NO.	Description	Quantity/Set
1	Spring Seat Spring	20
2	Spring Seat	1
3	Valve Plate	1
4	Cylinder Block	1
5	Ball Guide Spring	9
6	Seperation Plate	4
7	Friction Plate	3
8	Ball Guide	1
9	Retainer Plate	1
10	Piston Shoe	9
11	Thrust Plate	1
12	Drive Shaft	1

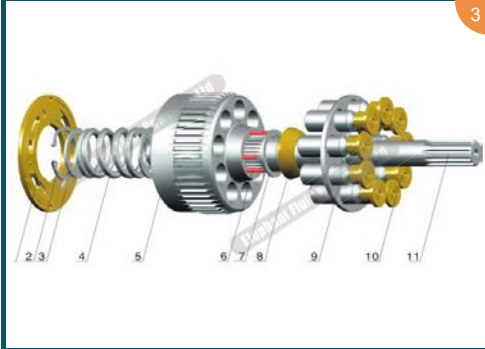
**NABTESCO TRAVEL**

**GM05VL / GM06VL / GM35VLPVD-2B-34 / YC35-6 / BOBCAT 337 / CASE CS05A**

NO.	Description	Quantity/Set
1	Valve Plate M	1
2	Snap Ring	1
3	Spacer	2
4	Spring	1
5	Friction Plate	3
6	Seperation Plate	4
7	Cylinder Block	1
8	Spacer	1
9	Ball Guide	1
10	Piston Shoe	9
11	Retainer Plate	1
12	Swash Plate	1
13	Drive Shaft	1
14	Yoke Ball	2
15	Yoke Shoe	2

**NABTESCO TRAVEL**

**GM05-07VA / GM08-23 / GM30H / GM35VA / GM38VB**

NO.	Description	Quantity/Set
1	Valve Plate M	1
2	Snap Ring	1
3	Spacer	2
4	Spring	1
5	Friction Plate	3
6	Seperation Plate	4
7	Cylinder Block	1
8	Spacer	1
9	Ball Guide	1
10	Piston Shoe	9
11	Retainer Plate	1
12	Swash Plate	1
13	Drive Shaft	1
14	Yoke Ball	2
15	Yoke Shoe	2

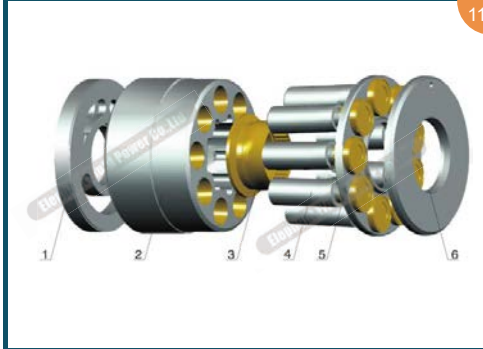
## NABTESCO TRAVEL



### DNB 08

NO.	Description	Quantity/Set
1	Valve Plate	1
2	Snap Ring	1
3	Spacer	2
4	Spring	1
5	Cylinder Block	1
6	Press Pin	1
7	Spacer	1
8	Ball Guide	1
9	Retainer Plate	1
10	Piston Shoe	9
11	Drive Shaft	1

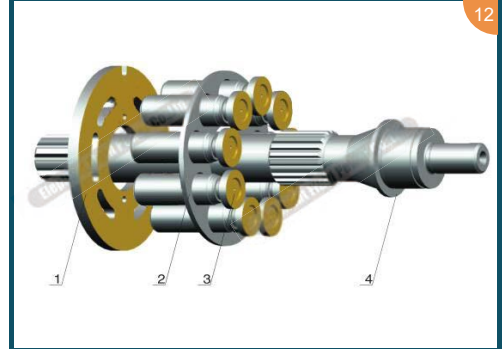
## TADANO



### TADANO 100/150

NO.	Description	Quantity/Set
1	Valve Plate	1
2	Cylinder Block	1
3	Ball Guide	1
4	Piston Shoe	9
5	Retainer Plate	1
6	Thrust Plate	1

## HARVESTER



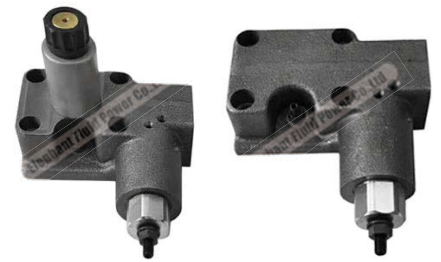
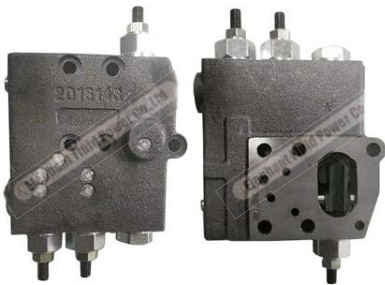
### HPVMF23 (T23C) / HPVMF23.7 / T28C / T30C / T37C

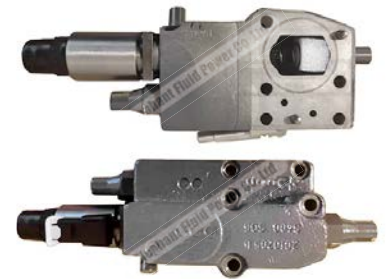
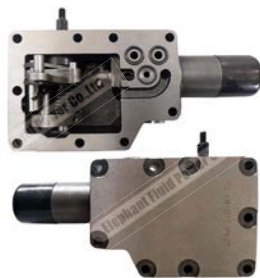
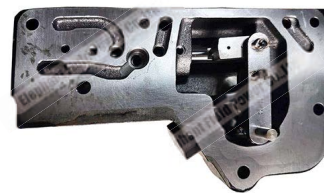
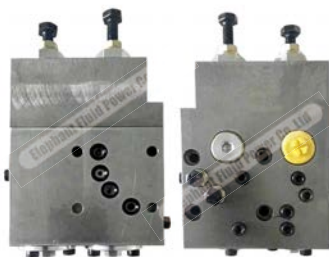
NO.	Description	Quantity/Set
1	Valve Plate R/M	1
2	Retainer Plate	1
3	Piston Shoe	9
4	Drive Shaft	1



**REXROTH SERIES** клапан керування

**A6VM-EP2**
**REXROTH SERIES** клапан керування

**A6VM-HA**
**REXROTH SERIES** клапан керування

**A6VM-HD1D**
**REXROTH SERIES** клапан керування

**A11VO-LRDS**
**REXROTH SERIES** клапан керування

**A11VO-LE2S**
**REXROTH SERIES** клапан керування

**A11VO-LRDU2**
**SAUER SERIES** клапан керування

**PV22/23**
**SAUER SERIES** клапан керування

**90R75/100**
**HAWE SERIES** клапан керування

**V30D**
**KAWASAKI SERIES** клапан керування

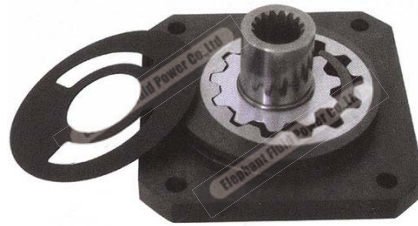
**K3V112**

CHARGE PUMP



A4VG-1

CHARGE PUMP



A4VG-2

CHARGE PUMP



A4VG-3

CHARGE PUMP



A4VTG-1

CHARGE PUMP



A4VTG-2

CHARGE PUMP



A10VG63

CHARGE PUMP



A10VG63-1

CHARGE PUMP



SPV 6/119

CHARGE PUMP



PV90R

# Hydraulic Vane Pump And Spare Parts

T6, T7 series



V10, V20 series



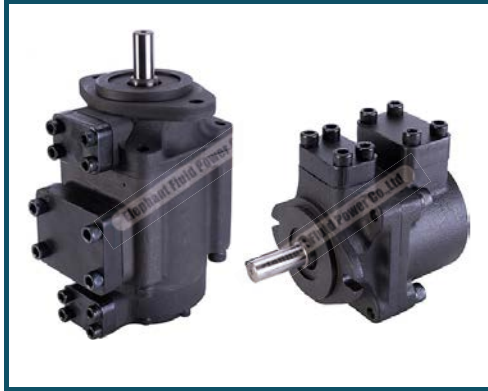
VQ series



SQP series



PFE, PFED series



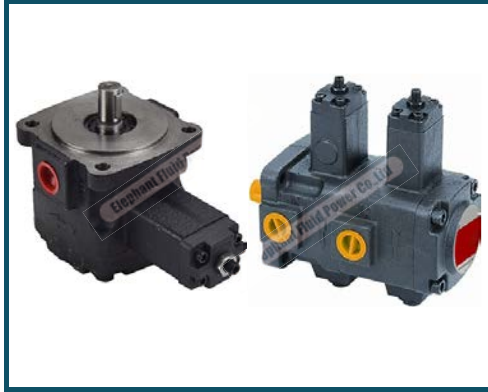
PV2R series



T6DR, T6ER series



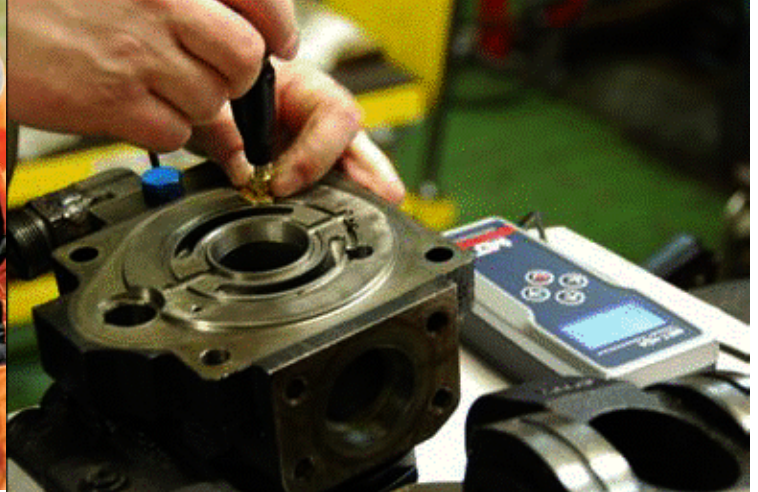
Low pressure variable vane pumps



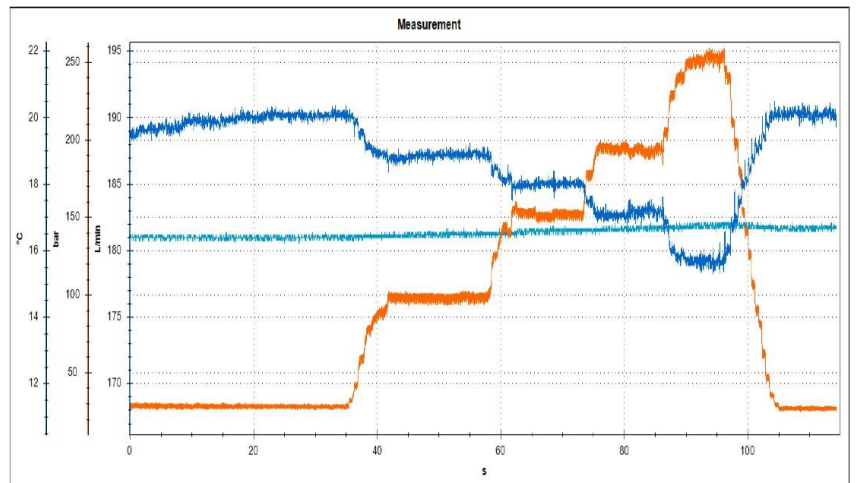
Hydraulic Vane Pump Cartridge kit



При ремонті гідравліки необхідний делікатний підхід та кваліфікований персонал у зв'язку із високою точністю виготовлення деталей гідросистеми. Ми забезпечуємо професійний ремонт гідравлічних моторів і насосів таких виробників як REXROTH, KAWASAKI, SAUER-DANFOSS, KAYABA, VICKERS-EATON, VOLVO, CATERPILLAR, LIEBHERR, LINDE, HITACHI.



Ремонт гідронасосів та гідромоторів здійснюється професіоналами з більш ніж 20-річним стажем роботи. У нашому розпорядженні стенд 100 kWt для контрольних випробувань гідронасосів та двигунів. Діагностичне обладнання Webtec 750 л/хв, 420 Бар. (електронний та механічний витратомір з дроселем навантаження).



При виконанні капітального ремонту виконується наступна робота та проводиться заміна наступних компонентів:

1. При необхідності, попереднє випробування на стенді для отримання перед ремонтних характеристик по тиску  $P=Bar$  і  $Q=л/хв$  для порівняння з еталонними значеннями.
2. Миття.
3. Розбирання.
4. Дефектування.
5. Демонтаж монтаж підшипників.
6. Заміна вузла, що коливається в зборі (поршні, картридж, похила шайба, притискна шайба, розподільна плита).
7. За необхідності відновлення площин, що сполучаються качає вузла.
8. Заміна ущільнень (сальник валу, ущільнення корпусу, ущільнення головки, що управляє).
9. Стендові випробування. Налаштування робочих параметрів. Отримання робочих характеристик тиску  $P=Bar$  і  $Q=л/хв$  порівняння з еталонними значеннями.
10. Надання висновку за результатами проведеної роботи з робочими параметрами.